

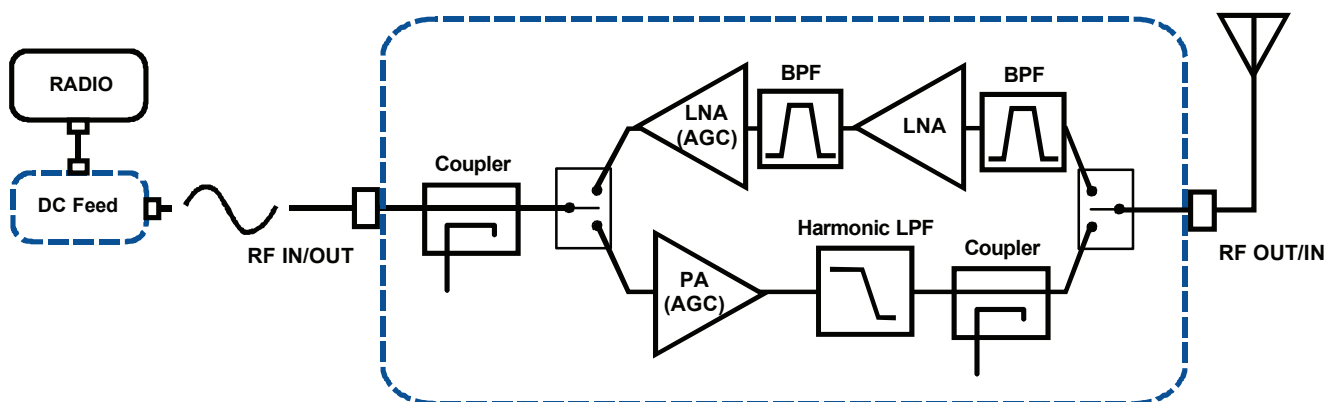


The Antennafier™ 2400 PX Series Amplifiers are our Highest Power of Bi-Directional Amplifiers with up to 6 Watts of AGC compensated Transmit Power. The Automatic Gain Control provides a constant maximum output power at the antenna over a wide RF input range. An antenna amplifier significantly improves the link reliability and operating range by Low Noise Amplification in Receive Mode, and Spectrally Clean Power Amplification in Transmit Mode. This combination provides exceptional cosite performance in high traffic areas.

Featured Highlights:

- Pout of up to 6W using 802.11b/g
- High Q filtering in both TX/RX paths
- Low Transmit Harmonics
- Transmit AGC (Automatic Gain Control)
- Low Receive Noise Figure
- Internal Lightning Protection
- Automatically switches between TX/RX
- Rugged Outdoor Aluminum Housing

ANTENNAFIER™ 2400 PX SERIES BLOCK DIAGRAM



9017 Cincinnati Columbus Rd.
West Chester, Ohio 45069
PH: 513-777-2774

Typical Performance Parameters

Frequency Coverage: 2.44 GHz +/- 50MHz

Supply Voltage: +12 ± 5%
Supplied via connector located on DC Injector, I.D. (+), 5.5mm O.D. (-)

Receive:
Gain: 20 dB +/- 2 dB
Noise Figure: 2.5 dB
Supply Current: < 300mA
TX to RX Switching: 2 µSec

Transmit:
AGC Gain : Automatically adjusts to specified Power Output
Three models available 4W, 5W, 6W.
RF Input Pwr for Turn-On: > +8dBm to +20 dBm
Harmonic Rejection: 63dBc@2fo, 54dBc@3fo (fo=6W output)
Supply Current: < 3.0 A
RX to TX Switching: 2 µSec

Maximum Ratings:
Pin (Radio Port) +30 dBm
Pin (Antenna Port) +27 dBm

System Filtering:
In the receive cascade there are 6 Poles of High Q filtering
In the transmit cascade a Harmonic LPF
This combination provides exceptional cosite performance in high traffic areas

Size: 7.95" L x 7.03" W x 2.47" H

RF Connectors: Type N- Female

Weight: < 5 Lbs

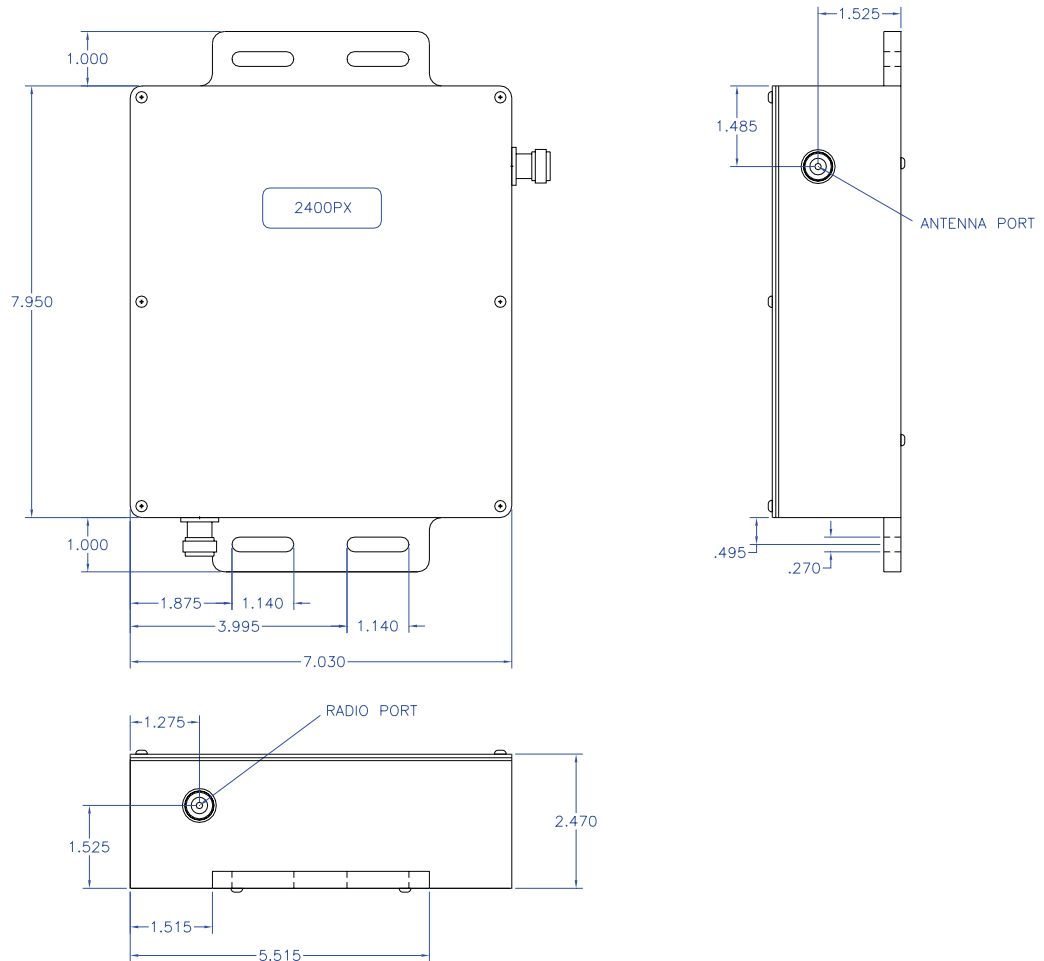
Amp Chassis: Rugged Aluminum Die-Cast chassis with paint. Includes Qty (2), 2.5" wide U bolts with brackets.

Lightning Suppression: 1/4 wavelength short

Temperature: -40 to +70 Deg C

9017 Cincinnati Columbus Rd.
West Chester, Ohio 45069
PH: 513-777-2774

Mechanical Footprint



9017 Cincinnati Columbus Rd.
West Chester, Ohio 45069
PH: 513-777-2774

2400PX Contents



Ordering Guide

<u>Series</u>	-	<u>Power</u>	<u>Description</u>
2400 PX		6W (38dBm) 5W (+37dBm) 4W (+36 dBm)	Outdoor Rated Amplifier with Indoor rated DC Injector, 12VDC@ 5A Power Supply, (2) mounting brackets with hardware and coax seal.

The marketing, sale, and use of power amplification devices are governed by and subject to Part 15 of the Rules and Regulations of the Federal Communications Commission. Such devices may only be sold to parties assembling certified RF transmission systems consisting of an intentional radiator, an external radio frequency power amplifier, and an antenna.

9017 Cincinnati Columbus Rd.
West Chester, Ohio 45069
PH: 513-777-2774