

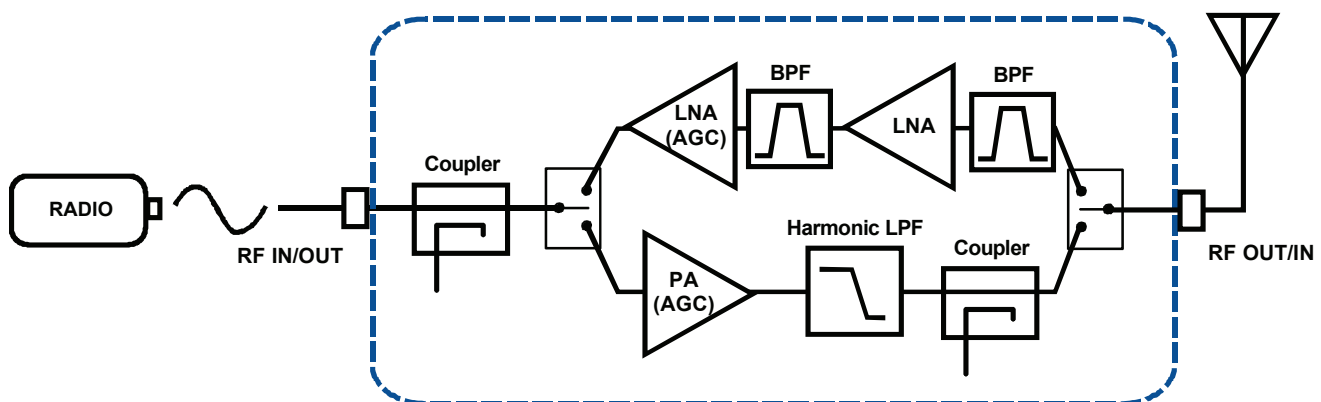


The Antennafier™ 2400 P Series Amplifiers are our Highest Power of Bi-Directional Amplifiers with up to 6 Watts of AGC compensated Transmit Power. The Automatic Gain Control provides a constant maximum output power at the antenna over a wide RF input range. An antenna amplifier significantly improves the link reliability and operating range by Low Noise Amplification in Receive Mode, and Spectrally Clean Power Amplification in Transmit Mode. This combination provides exceptional cosite performance in high traffic areas.

### Featured Highlights:

- Pout of up to 6W using 802.11b/g
- High Dynamic Range
- High Q filtering in both TX/RX paths
- Low Transmit Harmonics
- Transmit AGC (Automatic Gain Control)
- Low Receive Noise Figure
- Internal Lightning Protection
- TX/RX indicator light
- Automatically switches between TX/RX
- Rugged Machined Aluminum Housing

### ANTENNAFIER™ 2400 PE SERIES BLOCK DIAGRAM



9017 Cincinnati Columbus Rd.  
West Chester, Ohio 45069  
PH: 513-777-2774

## Typical Performance Parameters

**Frequency Coverage:** 2.44 GHz +/- 50MHz

**Supply Voltage:** +12 ± 5% Connector: 2.1mm I.D. (+), 5.5mm O.D. (-)

**Receive:** Gain: 20 dB +/- 2 dB (Pin < -12dBm)  
Noise Figure: 2.5 dB  
Supply Current: < 300mA  
TX to RX Switching: 2 µSec

**Transmit:** AGC Gain : Automatically adjusts to specified Power Output  
Three models available 4W, 5W, 6W.  
RF Input Pwr for Turn-On: > +8dBm to +20 dBm  
Harmonic Rejection: 63dBc@2fo, 54dBc@3fo (fo=6W output)  
Supply Current: < 3.0 A  
RX to TX Switching: 2 µSec

**Maximum Ratings:** Pin (Radio Port) +30 dBm  
Pin (Antenna Port) +27 dBm

**System Filtering:** In the receive cascade there are 6 Poles of High Q filtering  
In the transmit cascade a Harmonic LPF  
This combination provides exceptional cosite performance in high traffic areas

**Size / RF Conn:** 6.75" L x 3.00" W x 1.45" H Including Connectors ("N" type Female)

**Weight:** < 26 oz

**Chassis:** Machined aluminum with a tough black anodized chemical finish

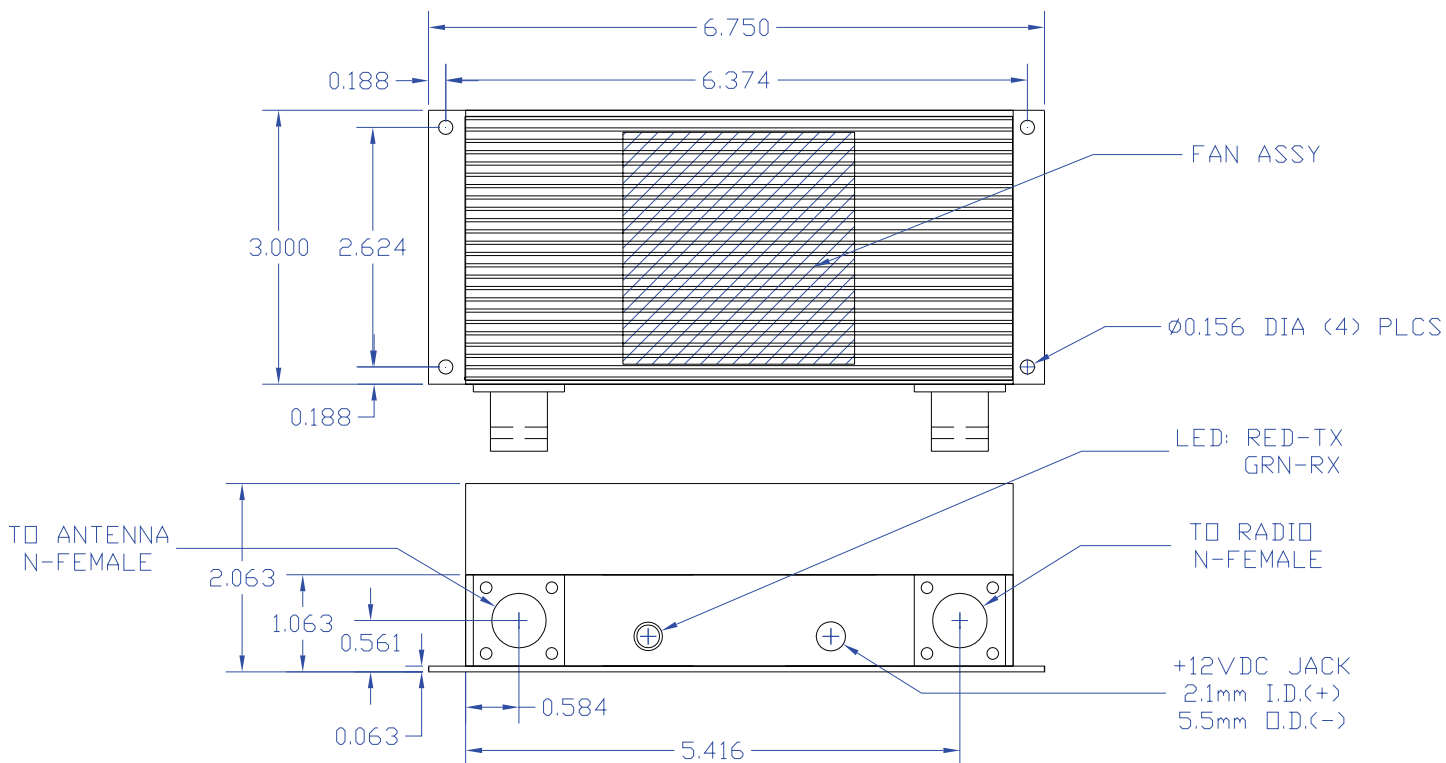
**Indicator LED:** Green LED -Receive Mode, Red LED-Transmit Mode

**Lightning Suppression:** 1/4 wavelength short

**Temperature:** -40 to +70 Deg C

9017 Cincinnati Columbus Rd.  
West Chester, Ohio 45069  
PH: 513-777-2774

## Mechanical Footprint



## ANTENNAFIER™ Ordering Guide

<u>Series</u>	-	<u>Power</u>	<u>Description</u>
2400 PE		6W (38dBm) 5W (+37dBm) 4W (+36 dBm)	Indoor Rated Amplifier, with 12VDC@5A Power Supply

*The marketing, sale, and use of power amplification devices are governed by and subject to Part 15 of the Rules and Regulations of the Federal Communications Commission. Such devices may only be sold to parties assembling certified RF transmission systems consisting of an intentional radiator, an external radio frequency power amplifier, and an antenna.*

9017 Cincinnati Columbus Rd.  
West Chester, Ohio 45069  
PH: 513-777-2774