



This Ultra-High Q Band Pass Filter provides 8 Poles of Cavity Filtering. It's designed to cover the entire 2.4GHz ISM band (CH1 thru CH 11). If your desiring to clean-up spurious out-of-band emissions this filter will yield the results your looking for. It's sealed rugged aluminum chassis make it ideal for indoor or outdoor applications.

## Typical Performance Parameters

**Center Frequency (Fc):** 2436.5 MHz

**Selectivity:**

| Selectivity | Bandwidth      |
|-------------|----------------|
| 3dB         | 70 MHz         |
| 20dB        | Fc+/- 45.5 MHz |
| 30dB        | Fc+/- 53 MHz   |
| 60dB        | Fc+/- 75 MHz   |

**Number of Cavities:** 8 Poles with inter-stage cross coupling

**Insertion Loss:** < 1.1dB (-0.9dB Typical)

**Passband Ripple:** < 0.25dB

**Return Loss:** > 15dB ( 18dB Typical) 50 Ohm in/out impedance

**Harmonic Rejection:** > 80dBc (90dB Typical)

**Power Handling:** 50 Watts

**Connectors:** (2) N-Female

**Operational Temp:** -40 to +85 Deg C

**Size / RF Connectors:** 4.84" x 2.8"x 1.22" ( "N" type Female Connectors )

**Weight:** 1.2 lbs (filter only)

**Chassis:** Operational for Outdoor Applications, Machined Aluminum, Painted Black

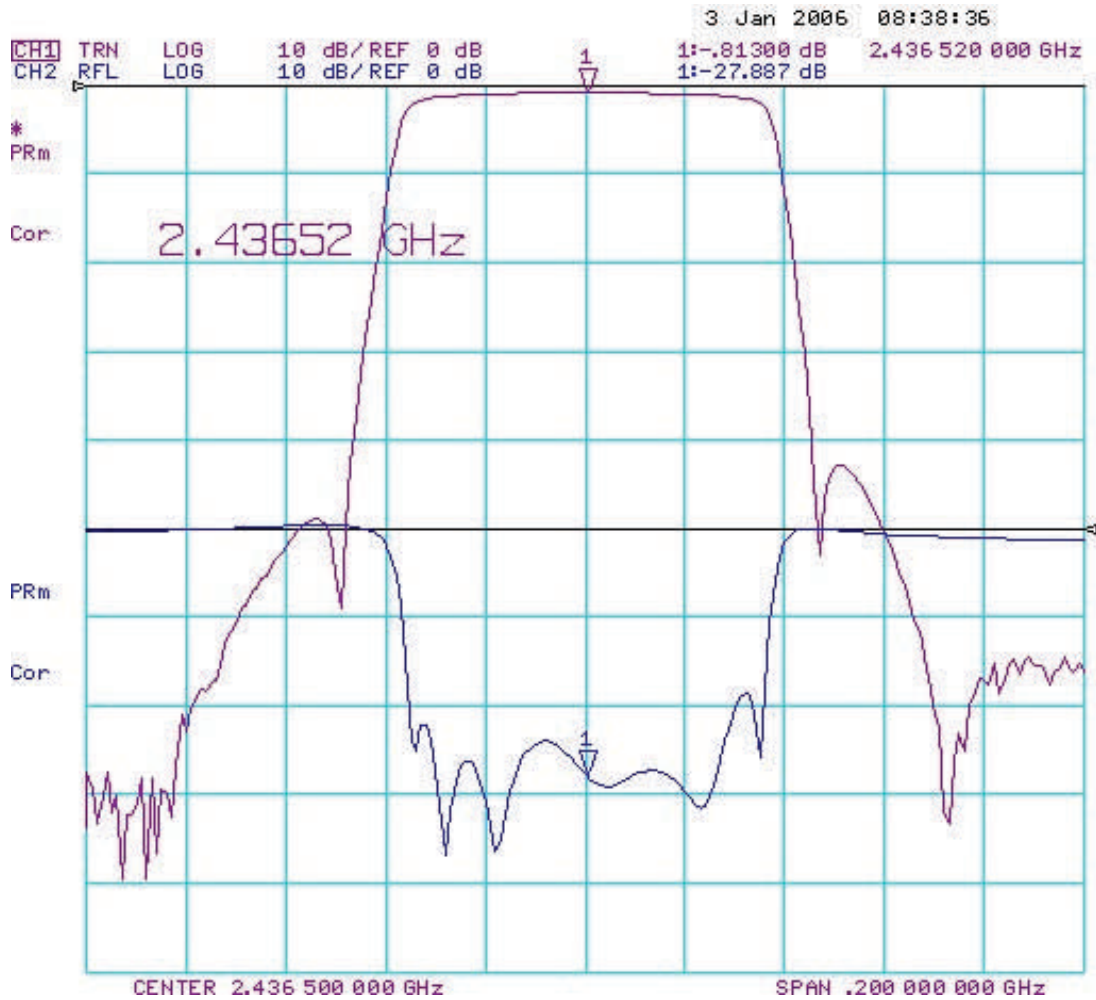
**Lightning Suppression:** Shunt inductive (DC Short)

9017 Cincinnati Columbus Rd.  
West Chester, Ohio 45069  
PH: 513-777-2774

# 2400 BPF-FB SERIES



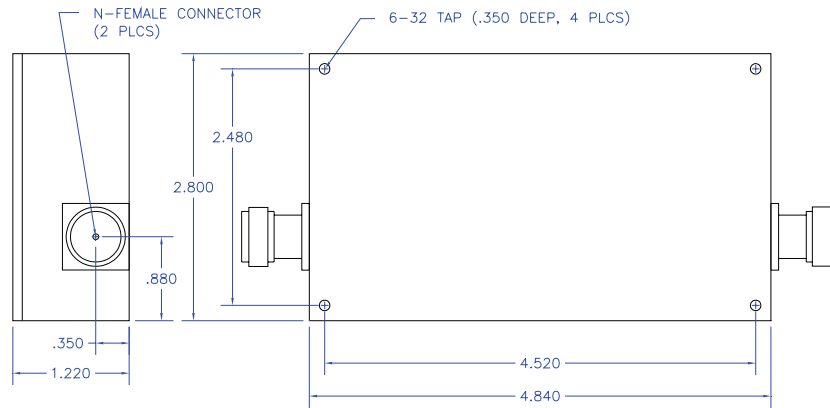
## Typical Selectivity Plot:



9017 Cincinnati Columbus Rd.  
West Chester, Ohio 45069  
PH: 513-777-2774

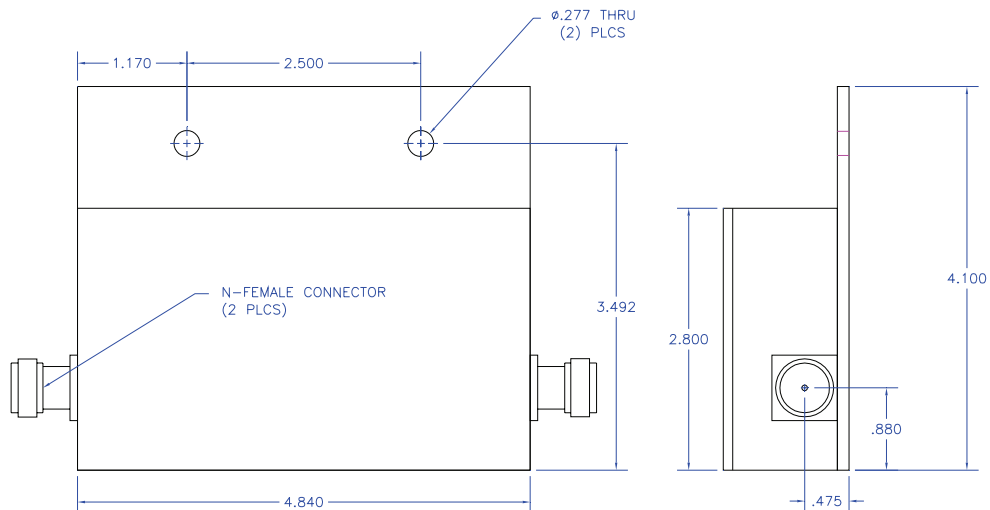
## Mechanical Outline:

### INDOOR PN# 2400 BPF-8-FB



### OUTDOOR PN# 2400 BPF8-FB

Includes 2.5" V Bolt mounting bracket w/hardware & connector seal tape



9017 Cincinnati Columbus Rd.  
West Chester, Ohio 45069  
PH: 513-777-2774