

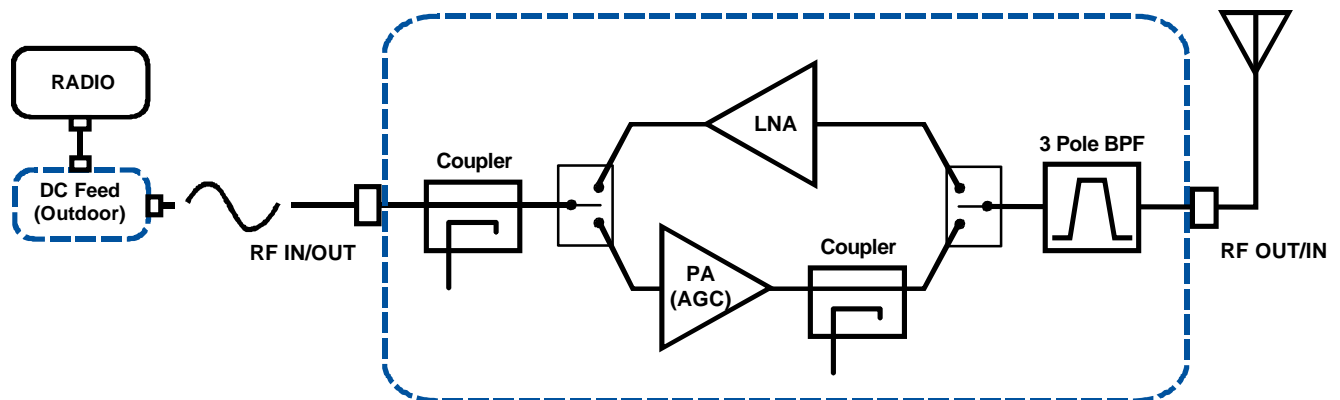


The Antennafier™ 2400 SA series amplifiers are our newest line of 802.11g/b compatible smart Bi-Directional RF amplifiers for use in Wireless LAN Applications, providing up to 1W of AGC compensated Transmit Power. An antenna amplifier significantly improves link reliability and operating range by providing Low Noise Amplification in Receive Mode, and Spectrally Clean Power Amplification in Transmit Mode. This Amplifier has unique internal 3 pole filtering in both TX and RX paths providing exceptional cosite performance in high traffic areas. These automatic gain devices are available in either indoor or outdoor models.

Featured Highlights:

- High Dynamic Range
- TX power up to 1W (+30dBm) in 802.11g/b
- 3 Poles of High Q filtering in both TX/RX paths
- Extremely low transmit harmonics
- Machined Aluminum Housing
- TX/RX LED Indicator

ANTENNAFIER™ 2400 SA SERIES BLOCK DIAGRAM



The marketing, sale, and use of power amplification devices are governed by and subject to Part 15 of the Rules and Regulations of the Federal Communications Commission. Such devices may only be sold to parties assembling certified RF transmission systems consisting of an intentional radiator, an external radio frequency power amplifier, and an antenna.

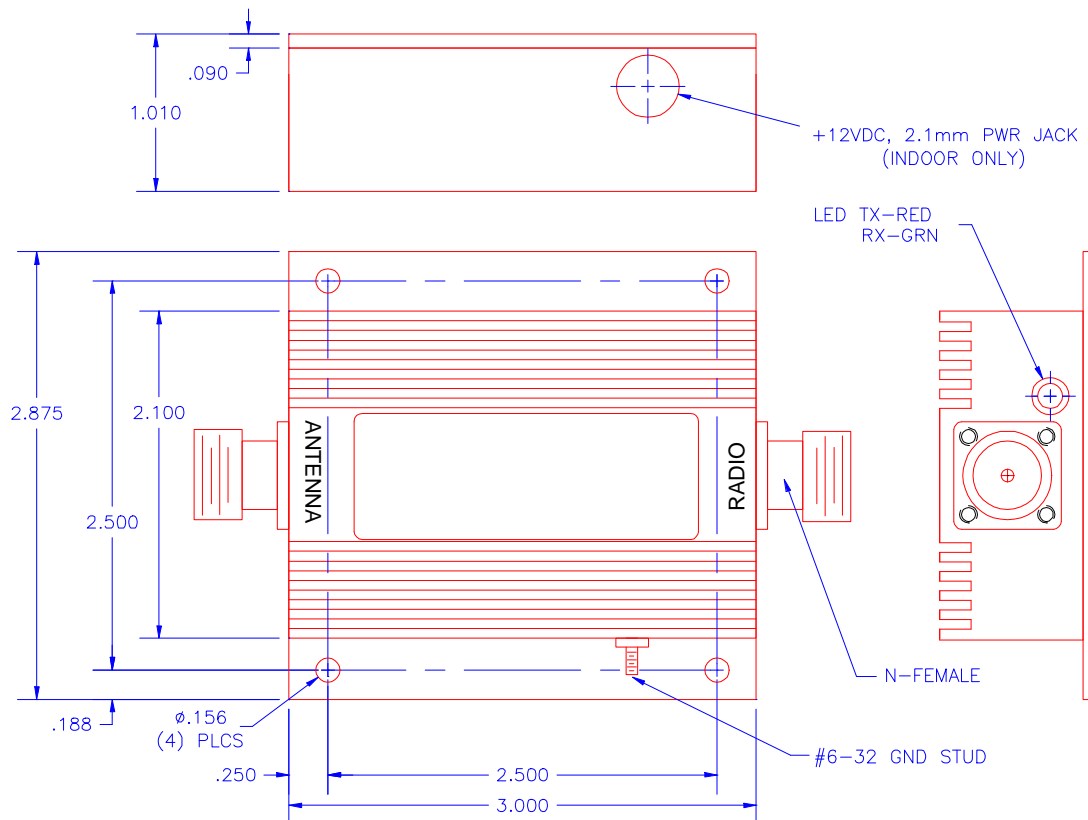
9017 Cincinnati Columbus Rd.
West Chester, Ohio 45069
PH: 513-777-2774

Typical Performance Parameters

Frequency Coverage:	2.442 GHz +/- 50MHz	
Supply Voltage:	+12 VDC +/- 5% 2400SAX (Outdoor) 2400SAE (Indoor)	DC from center of coax DC Via 2.1mm I.D. (+), 5.5mm O.D. (-)
Receive:	Gain: 'g' Modulation Data Rates: Noise Figure: Linear Operation: Supply Current: TX to RX Switching:	20 dB +/- 2 dB (Custom gain from 0 to +23dB upon request) 54Mbps 2.5 dB Pin < -9dBm <150mA 2 µSec Typ.
Transmit:	AGC Gain : Max Rated Power Output: 'g' Modulation Data Rates: P1dBm: RF Input Power for Turn-On: Harmonic Rejection: Supply Current: RX to TX Switching:	Automatically adjusts to specified Power Output 1W (+30) dBm 1W yields 36 to 48Mbps 0.5W yields 54Mbps +32.5dBm > 1 dBm > 75dBc @ 2fo > 56 dBc @ 3fo 1W Power Output < 800 mA Max @ 1W Power Output 2 µSec Typ.
Maximum Ratings:	Pin (Radio Port) Pin (Antenna Port)	+30 dBm +27 dBm
System Filtering:	An internal 3-Pole Filter in both RX and TX Paths provides superior cosite performance achieving Maximum Dynamic Range and Low Harmonic Distortion.	
Size / RF Conn:	2.88" x 3.00"x 1.01" (Not including "N" type Female Connectors)	
Weight:	< 11 oz	
Chassis:	Machined Aluminum with chemical film per MIL C5541 Class 1A Indoor Model: PCB is protected with a conformal coating compound Outdoor Model: Inner PCB chamber is potted making the assembly water tight	
Indicator LED:	Green LED -Receive Mode, Red LED-Transmit Mode	
Lightning Suppression:	1/4 wavelength short	

9017 Cincinnati Columbus Rd.
West Chester, Ohio 45069
PH: 513-777-2774

Mechanical Footprint:



Ordering Guide:

<u>Series</u>	<u>Power</u>	<u>Description</u>
2400 SAX	1 W (+30dBm) 0.5 W (+27dBm)	Kit includes: Outdoor Rated Amplifier, Indoor DC Feed, +12VDC Wall Mount Power Supply, Mounting Bracket, Stainless Steel Hardware and Instruction Sheet.
2400 SAE	1 W (+30dBm) 0.5 W (+27dBm)	Kit includes: Indoor Rated Amplifier, +12VDC Wall Mount Power Supply, Mounting Bracket, Stainless Steel Hardware and Instruction Sheet.
2400 SAU	Up to 1 Watt	Custom "Built to Order", Specify RX Gain, TX Gain. Indoor or Outdoor model available. Kit includes 12VDC Wall Transformer, Stainless Steel Hardware and DC Feed & mounting bracket where applicable.

9017 Cincinnati Columbus Rd.
West Chester, Ohio 45069
PH: 513-777-2774