

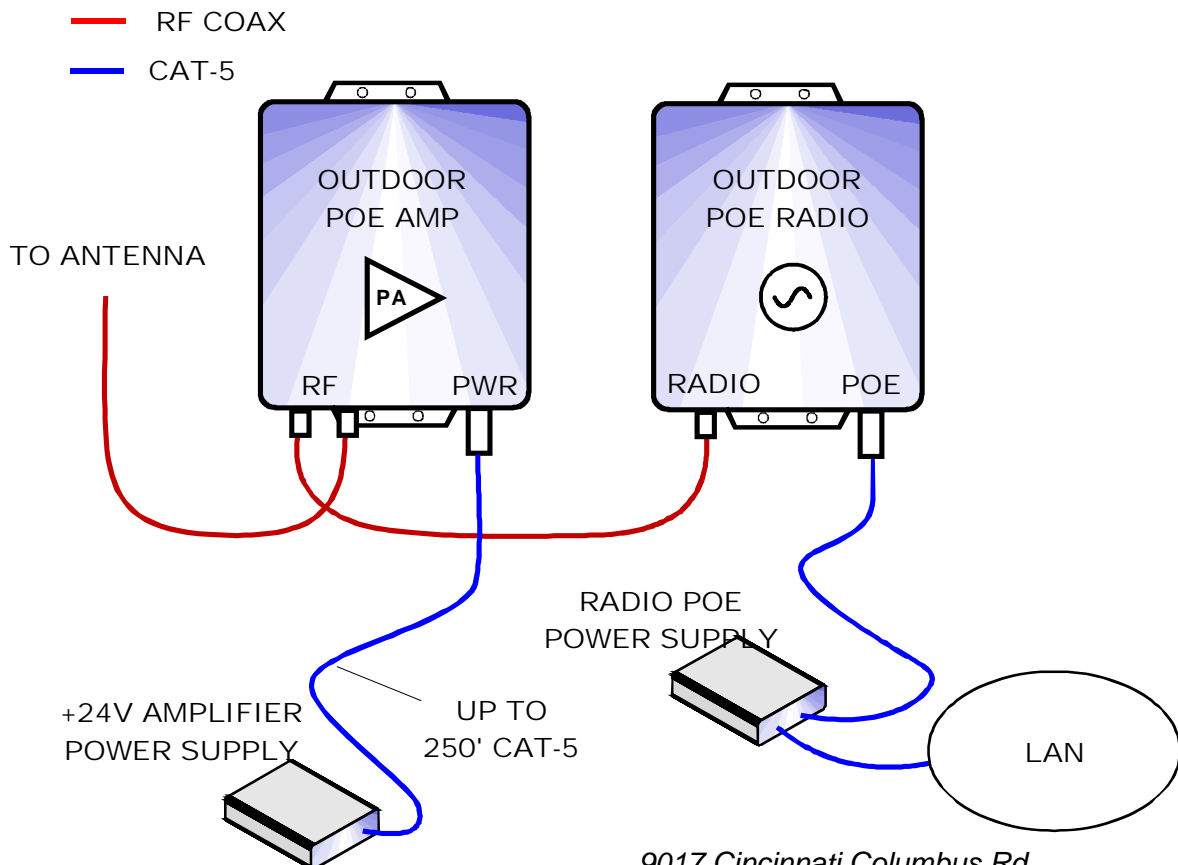
ANTENNAFIER™ 4900-5800SAX-PK



Achieve the high performance of our 5 GHz series Antennafier™ with POE. This Bi-Directional Amplifier provides a system integrator a cost effective outdoor solution. Now you can power your amplifier using a single CAT-5 line and eliminate the high RF losses associated with coaxial cable. Using this Antennafier™ in front of your radio will improve link reliability and operating range by providing Low Noise Amplification in RX and Spectrally Clean Power Amplification

Featured Highlights:

- TX Power: 500mW Average, 1500mW Peak
- RX Gain: +10dB
- +24V CAT-5 Power Supply Included
- High Q filtering in both TX/RX paths
- Internal Lightning Protection
- Rugged Outdoor Construction



9017 Cincinnati Columbus Rd.
West Chester, Ohio 45069
PH: 513-777-2774

Typical Performance Parameters

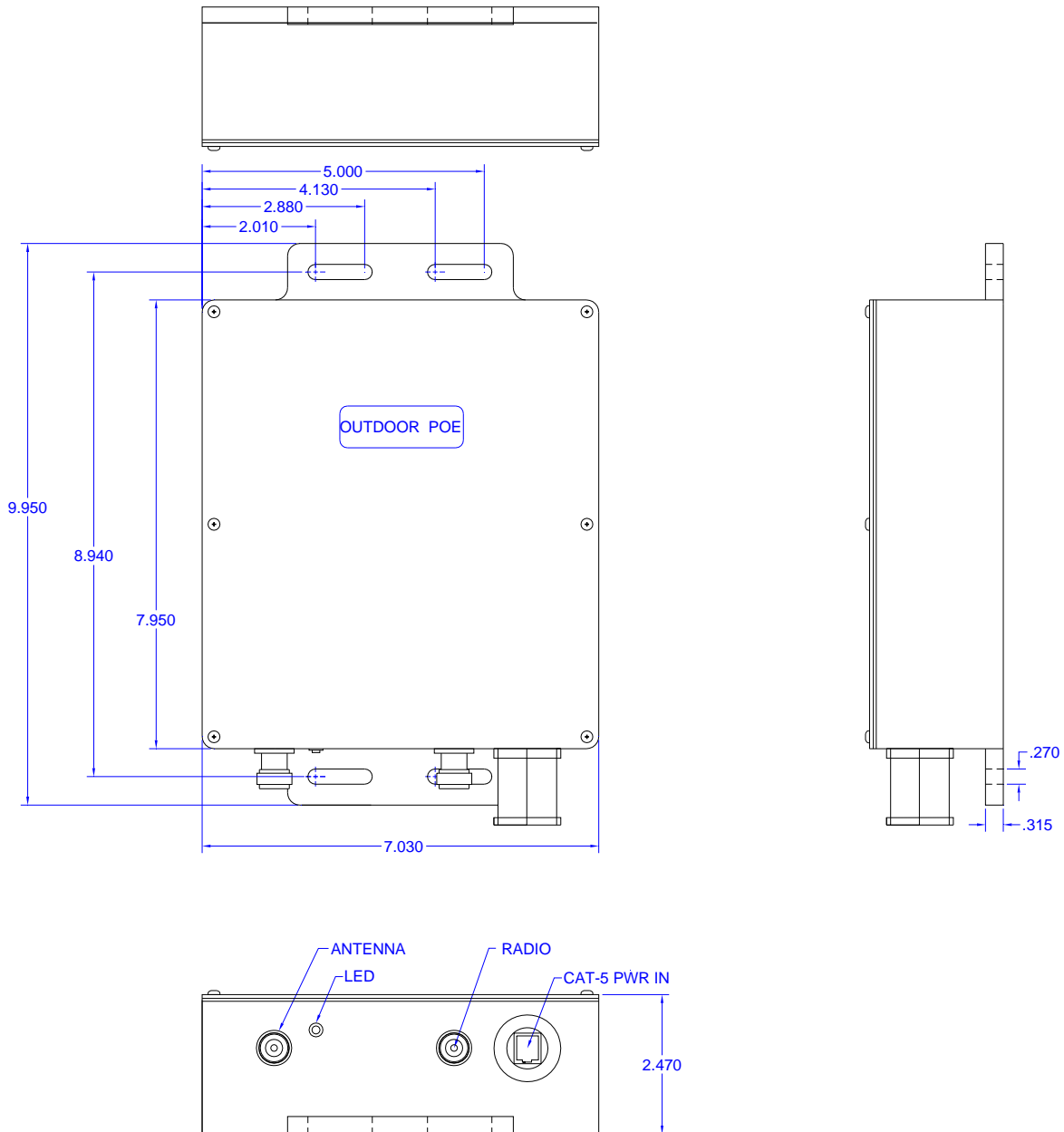
Amp POE Input Voltage:	+18 to 50 VDC	V+ (Pins 4,5 on CAT-5 In/Output Jack) V- (Pins 7,8 on CAT-5 In/Output Jack) Waterproof RJ-45 Connector
Frequency Bands:	Public Safety: 4.940-4.990 GHz U-NII Lower & Middle: 5.15-5.35 GHz CEPT & U-NII Upper: 5.47-5.825 GHz	
Receive:	Gain: 10 dB +/- 2 dB Noise Figure: 2.5 dB Supply Current: < 250 mA TX to RX Switching: < 500nSec	
Transmit:	AGC Power : Avg Power: 500mW (27dBm) , Pin +5 to +20dBm Peak Power 1500mW (+32dBm) Compression Point: P1dBm = 1500mW (+32dBm) RF Input Power for Turn-On: > 1 dBm Harmonic Rejection: 2fo > 55 dBc, 3fo >70dBc @ Po=+27dBm Supply Current: < 1A RX to TX Switching: < 500nSec	
Maximum Ratings:	Pin (Radio Port) +30 dBm Pin (Antenna Port) +27 dBm	
Size / RF Conn:	7.95" x 7.03"x 2.50" (Two RF Connectors -"N" Female) (One Waterproof CAT-5- Female) Rugged aluminum die-cast chassis, with white power coat finish	
Weight:	< 3.7 Lbs	
Lightning Suppression:	Antenna N-Connector, 1/4 wavelength DC short POE IN/OUT, 500W Surge protection	
Temperature:	-40 to +70Deg C	

FCC Information:

Power amplification products are available for export, military, and OEM component sales and are not offered for sale to the general public. Customer acknowledges that any RF Linx amplification device it purchases is intended for use only in a transmission system certified under Part 15 of the rules and regulations of the FCC. The marketing, sale, and use of power amplification devices are governed by and subject to Part 15 of the Rules and Regulations of the FCC. Such devices may only be sold to parties assembling certified RF transmission systems consisting of an intentional radiator, and external radio frequency power amplifier, and an antenna. It is the responsibility of the purchaser, and/or operator to insure that only approved equipment/systems are deployed in a FCC certified system configuration with which such equipment is authorized.

9017 Cincinnati Columbus Rd.
West Chester, Ohio 45069
PH: 513-777-2774

Mechanical Outline:



Each POE Amp Includes:

- Two 2.5" U bolt mounting brackets
- Waterproof RJ-45 Connector Assembly
- Coax Seal
- +24V CAT-5 Power Supply

9017 Cincinnati Columbus Rd.
West Chester, Ohio 45069
PH: 513-777-2774