

TUNABLE ANTENNAFIER™ 2400LTX-PK

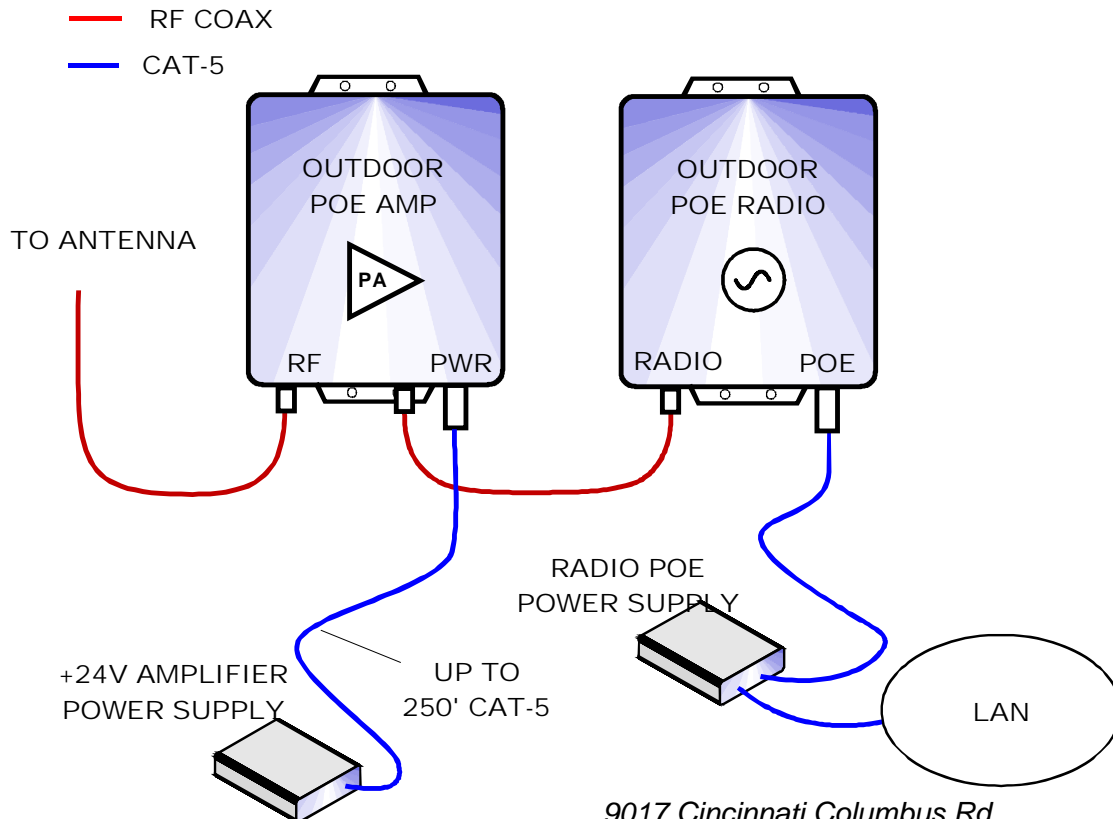


Achieve the high performance of our 2400 LT series Tunable Antennafier™ with POE. This Fully Tunable Bi-Directional Amplifier provides a system integrator a cost effective outdoor POE solution. Now you can power your amplifier using a single CAT-5 line and eliminate the high RF losses associated with coaxial cable.

Improve your link margin digitally with spectrally clean TX Output Boost from 0.5W to 4W and highly selective RX gain from 5 to 20dB.

Featured Highlights:

- +24V CAT-5 Power Supply Included
- Fully Tunable AGC TX Power: 0.5W to 4W,
- Fully Tunable RX Gain: 0 to 20dB
- USB Controlled (Tune & Remember)
- Built-in Radio Power Meter
- Status Reporting
- High Q filtering in both TX/RX paths
- Low Receive Noise Figure
- RX/TX LED Indicator
- Internal Lightning Protection



9017 Cincinnati Columbus Rd.
West Chester, Ohio 45069
PH: 513-777-2774

Typical Performance Parameters

Amp POE Input Voltage:	+18 to 50 VDC	V+ (Pins 4,5 on CAT-5 In/Output Jack) V- (Pins 7,8 on CAT-5 In/Output Jack) Waterproof RJ-45 Connector
Frequency Coverage:	2.442 GHz +/- 50MHz	
Receive:	Adjustable Gain: Noise Figure: Supply Power: TX to RX Switching: IP ₃ (Input):	0 to 20 dB (Pin < -12dBm) 2.5 dB Typ. < 600mW < 500nSec +18dBm
Transmit:	Adjustable AGC Power : AGC range: (For Pout = 27dBm ; Set Pin from 0 to 17dBm) (For Pout = 36dBm ; Set Pin from 4 to 23dBm) '802.11g' Modulation Rates RF Input Pwr for Turn-On: Harmonic Rejection: Supply Current: RX to TX Switching:	0.5W to 4W (27dBm to 36dBm) Min Gain : 10dB Max Gain: 32dB 4W typically yields 24 to 36Mbs 3W typically yields 36 to 48Mbs ≤ 2W typically yields 48 to 54Mbs >+2dBm > 65dBc @ 30dBm Power Out < 24W , 20W nominal < 500nSec
Maximum Ratings:	Pin (Radio Port) Pin (Antenna Port)	+30 dBm +27 dBm
System Filtering:	In the RX chain there is a total of 6 poles of high Q coaxial band pass filtering In the TX section we use a ceramic LPF to suppress harmonics	
Size / RF Conn:	7.95" x 7.03"x 2.50" (Two RF Connectors -"N" Female) (One Waterproof RJ-45 CAT-5- Female) Rugged aluminum die-cast chassis, with white power coat finish	
Weight:	< 3.7 Lbs	
Lightning Suppression:	Antenna N-Connector, 1/4 wavelength DC short POE IN/OUT, 500W Surge protection	
Temperature:	-40 to +70Deg C	

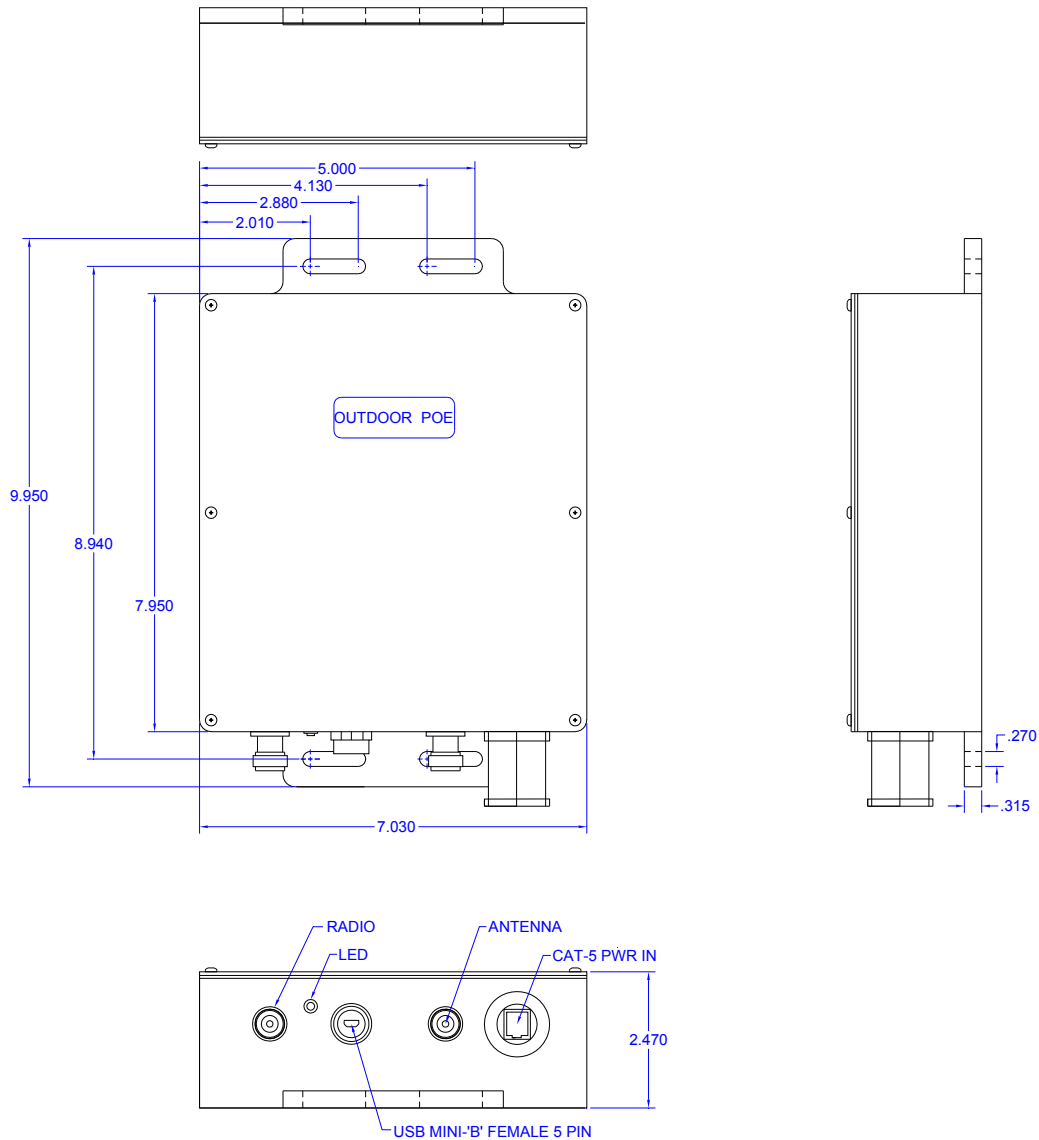
FCC Information:

Power amplification products are available for export, military, and OEM component sales and are not offered for sale to the general public. Customer acknowledges that any RF Linx amplification device it purchases is intended for use only in a transmission system certified under Part 15 of the rules and regulations of the FCC.

The marketing, sale, and use of power amplification devices are governed by and subject to Part 15 of the Rules and Regulations of the FCC. Such devices may only be sold to parties assembling certified RF transmission systems consisting of an intentional radiator, and external radio frequency power amplifier, and an antenna. It is the responsibility of the purchaser, and/or operator to insure that only approved equipment/systems are deployed in a FCC certified system configuration with which such equipment is authorized.

9017 Cincinnati Columbus Rd.
West Chester, Ohio 45069
PH: 513-777-2774

Mechanical Outline:



Each POE Amp Includes:

- Two 2.5" U bolt mounting brackets
- One Waterproof RJ-45 Connector Assembly
- Coax Seal
- Tunable CD Software
- USB Cable
- +24V CAT-5 Power Supply

9017 Cincinnati Columbus Rd.
West Chester, Ohio 45069
PH: 513-777-2774