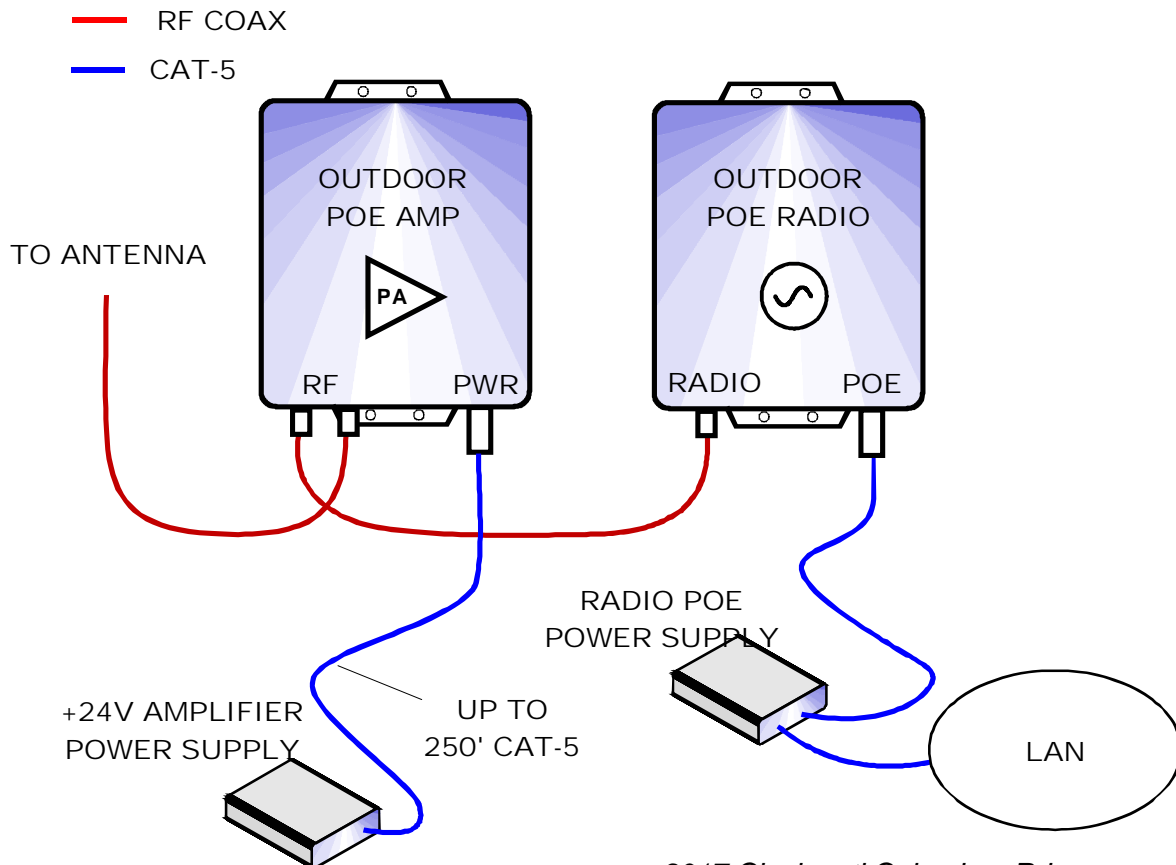




Achieve the high performance of our 2400SA series Antennafier™ with POE. This Bi-Directional Amplifier provides a system integrator a cost effective outdoor solution. Now you can power your amplifier using a single CAT-5 line and eliminate the high RF losses associated with coaxial cable. Using this Antennafier™ in front of your radio will improve link reliability and operating range by providing Low Noise Amplification in RX and Spectrally Clean Power Amplification during TX.

### Featured Highlights:

- TX Power 1000mW Average, 1800mW Peak
- RX Gain +20dB
- +24VDC RJ-45 Power Supply Included
- High Q filtering in both TX/RX paths
- Internal Lightning Protection
- Rugged Outdoor Construction



9017 Cincinnati Columbus Rd.  
West Chester, Ohio 45069  
PH: 513-777-2774

## Typical Performance Parameters

<b>Amp POE Input Voltage:</b>	+18 to 50 VDC	V+ (Pins 4,5 on CAT-5 In/Output Jack) V- (Pins 7,8 on CAT-5 In/Output Jack) Waterproof RJ-45 Connector
<b>Frequency Coverage:</b>	2.442 GHz +/- 50MHz	
<b>Receive:</b>	Gain: 20 dB +/- 2 dB 'g' Modulation Data Rates: 54Mbps Noise Figure: 2.5 dB Linear Operation: Pin < -9dBm Supply Power: < 2W TX to RX Switching: 1 µSec Typ.	
<b>Transmit:</b>	AGC Gain : Automatically adjusts to specified Power Output Rated Power Output: 1W (+30) dBm Average, (Pin +5dBm to 23dBm) 'g' Modulation Data Rates: yields 36 to 48Mbps P1dBm: +32.5dBm RF Input Power for Turn-On: > 1 dBm Harmonic Rejection: > 75dBc @ 2fo > 56 dBc @ 3fo 1W Power Output Supply Current: < 10W RX to TX Switching: 1 µSec Typ.	
<b>Maximum Ratings:</b>	Pin (Radio Port) +30 dBm Pin (Antenna Port) +27 dBm	
<b>System Filtering:</b>	An internal 3-Pole Filter in both RX and TX Paths provides superior cosite performance achieving Maximum Dynamic Range and Low Harmonic Distortion.	
<b>Size / RF Conn:</b>	7.95" x 7.03"x 2.50" ( Two RF Connectors -"N" Female ) ( One Waterproof CAT-5- Female ) Rugged aluminum die-cast chassis, with white power coat finish	
<b>Weight:</b>	< 3.7 Lbs	
<b>Lightning Suppression:</b>	Antenna N-Connector, 1/4 wavelength DC short	
<b>Temperature:</b>	-40 to +70Deg C	

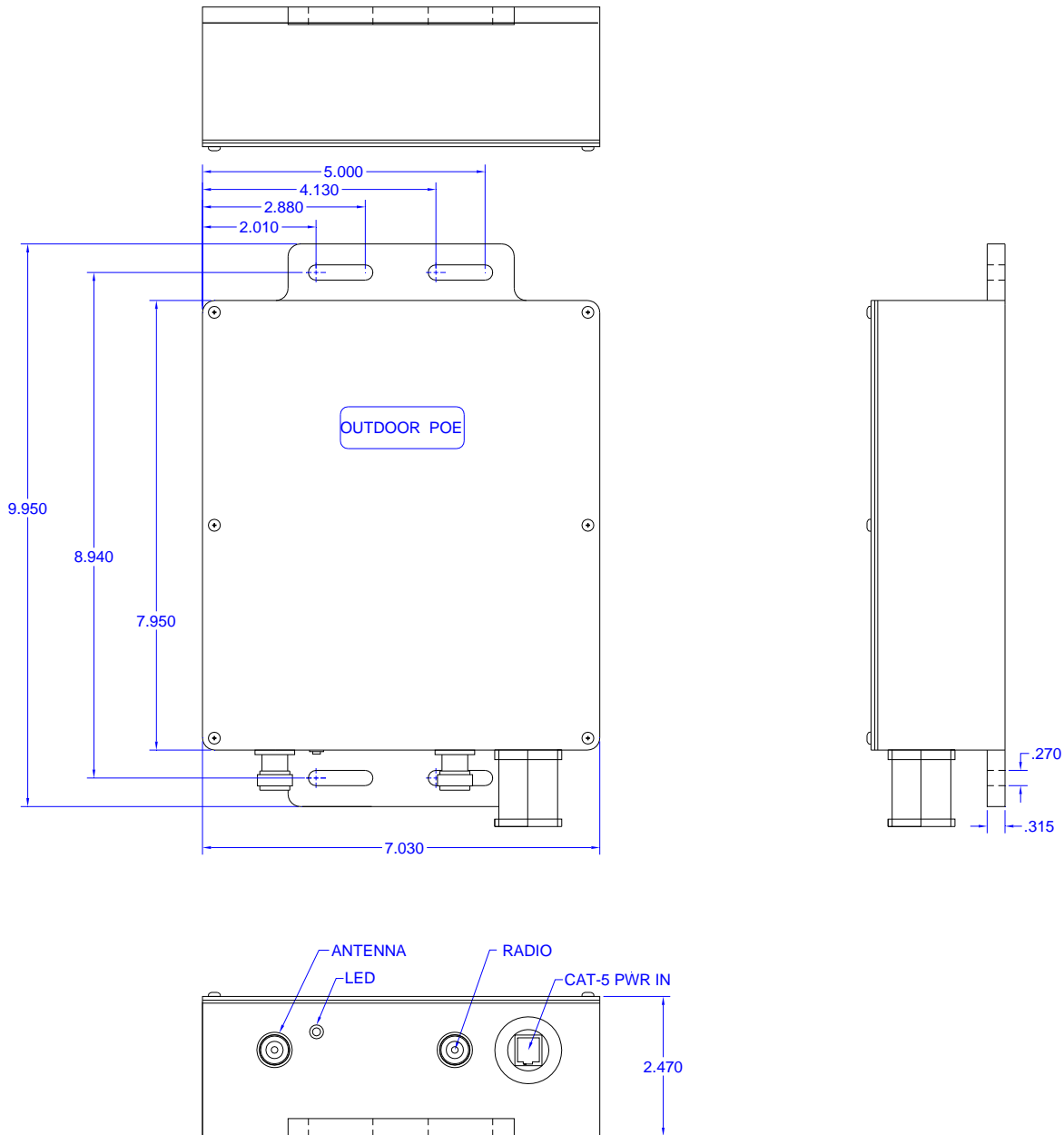
### FCC Information

Power amplification products are available for export, military, and OEM component sales and are not offered for sale to the general public. Customer acknowledges that any RF Linx amplification device it purchases is intended for use only in a transmission system certified under Part 15 of the rules and regulations of the FCC.

The marketing, sale, and use of power amplification devices are governed by and subject to Part 15 of the Rules and Regulations of the FCC. Such devices may only be sold to parties assembling certified RF transmission systems consisting of an intentional radiator, and external radio frequency power amplifier, and an antenna. It is the responsibility of the purchaser, and/or operator to insure that only approved equipment/systems are deployed in a FCC certified system configuration with which such equipment is authorized.

9017 Cincinnati Columbus Rd.  
West Chester, Ohio 45069  
PH: 513-777-2774

## Mechanical Outline:



Each POE Amp Includes:

- Two 2.5" U bolt mounting brackets
- Waterproof RJ-45 Connector Assembly
- Coax Seal
- +24V CAT-5 Power Supply

9017 Cincinnati Columbus Rd.  
West Chester, Ohio 45069  
PH: 513-777-2774