

TUNABLE ANTENNAFIER™ 915LTX-PK

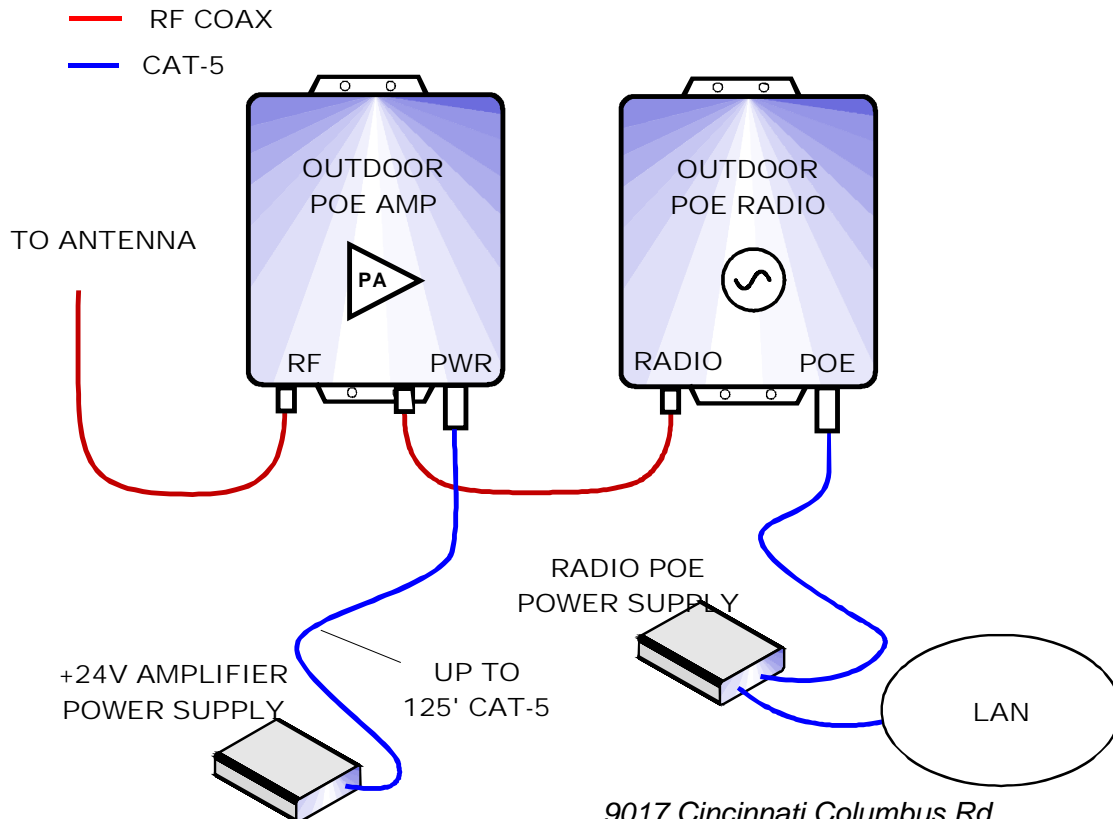


This 915 LTX-PK is a Outdoor High Power Digitally Tunable Bi-Directional Amplifier for 802.11b/g WLAN. It's powered via a standard CAT-5 cable and our included +24V supply. Fine Tune your system's RF Gain and TX Output Power via a USB link & our free software. These amplifiers have a non-volatile memory and will recall their previous settings. Reprogramming is simple and can be easily accomplished in the field during a live-link.

Improve link margin digitally with a spectrally clean TX Boost from 0.5 W to 10 W and highly selective RX gain from 0 to +10 dB.

Featured Highlights:

- Fully Tunable AGC TX Power: 0.5W to 10W
- Fully Tunable RX Gain: 0 to 10dB
- Outdoor Rated
- USB controlled
- Non-Volatile Memory (tune and remember)
- +24V RJ-45 Power Supply Included
- Built-in Radio Power Meter
- High Q filtering in both RX & TX paths
- Low Receive Noise Figure
- Internal Lightning Protection
- RX/TX LED Indicator
- Automatically switches between RX/TX



9017 Cincinnati Columbus Rd.
West Chester, Ohio 45069
PH: 513-777-2774

Typical Performance Parameters

Amp RJ-45 Input Voltage: +24 to +48 VDC
 V+ (Pins 1,2,4,5 on CAT-5 In/Output Jack)
 V- (Pins 3,6,7,8 on CAT-5 In/Output Jack)
 Up to 150' length of CAT-5e cable can be used

Frequency: F = 902-928 MHz

Receive:
 Adjustable Gain: 0 to 10 dB (0.1 dB increments)
 Noise Figure: 4.0 dB Typ.
 Supply DC Power: < 3.5 Watts
 TX to RX Switching: < 500 nSec
 IP₃ (Input): +20 dBm

Transmit :
 Adjustable AGC Power : 0.5 W to 10 W (27 dBm to 40 dBm, 0.1 dB inc)
 AGC range: Min Gain : 0 dB Max Gain: 33 dB
 (For Pout = 27dBm ; Set Pin from +2 to +23dBm)
 (For Pout = 40dBm ; Set Pin from +7 to +23dBm)
 RF input Power for Turn-On: +2 dBm
 Harmonic Rejection: > 79 dBc @ Poutput = +33 dBm

	Average RF Output Power	Typical Data Rate
802.11b	44.8 dBm (10 W)	11 –24 Mbps
802.11g	38.5 dBm (7W)	24-36 Mbps
	37 dBm (5W)	36-48 Mbps
	≤36 dBm (4 W)	54 Mbps

Supply Current: < 70 Watts Peak, 35 Watts nominal
 RX to TX Switching: < 500nSec

Maximum Ratings:
 Pin (Radio Port): +27 dBm Peak, +23dBm nominal
 Pin (Antenna Port): +36 dBm

System Filtering:
 RX chain: 3 poles of high Q coaxial band pass filtering
 TX chain: 3 pole LPF to suppress harmonics

Chassis Size : 9.950" x 7.030"x 2.470"
 Rugged aluminum die-cast chassis, with white power coat finish

Connectors:
 Antenna Port 'N' Female
 Radio Port 'N' Female
 USB Mini-'B' Female 5 Pin
 Power Waterproof RJ45 Connector – Female

Weight: < 4.5 Lbs

Indicator LED: Green LED -Receive Mode, Red LED-Transmit Mode

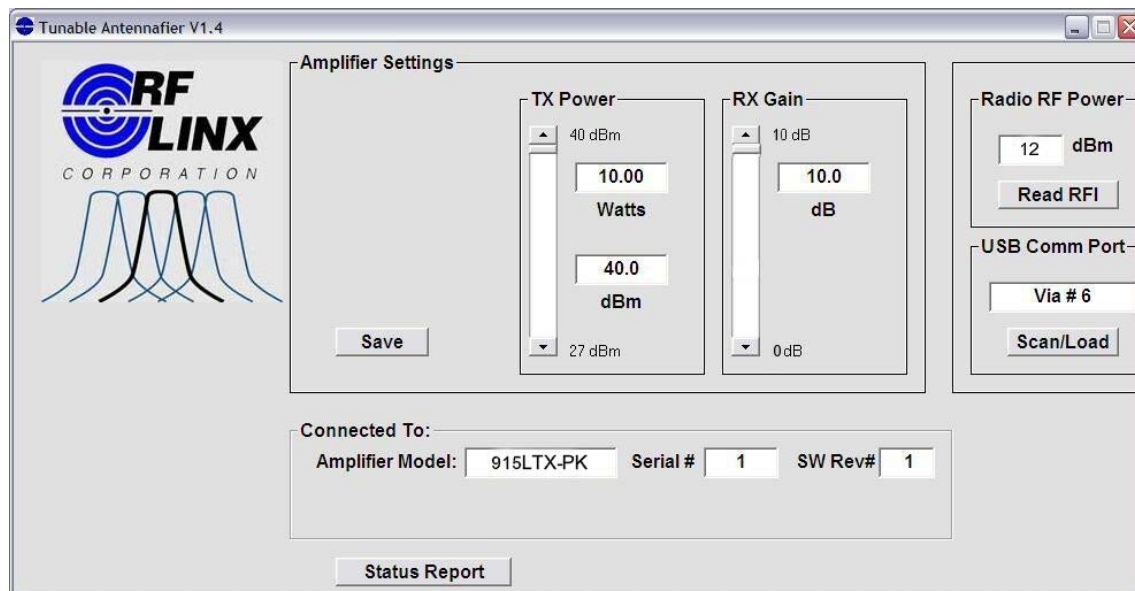
Lightning Suppression: Antenna N-Connector, DC short

Temperature: -40 to +70 Deg C

9017 Cincinnati Columbus Rd.
 West Chester, Ohio 45069
 PH: 513-777-2774

Programming Your Tunable Antennafier™ :

Programming is easily accomplished with a USB connection and our Tunable Software. The software operates on Windows 2000 / XP platforms. Below is a sample of the simple easy to use graphical interface.



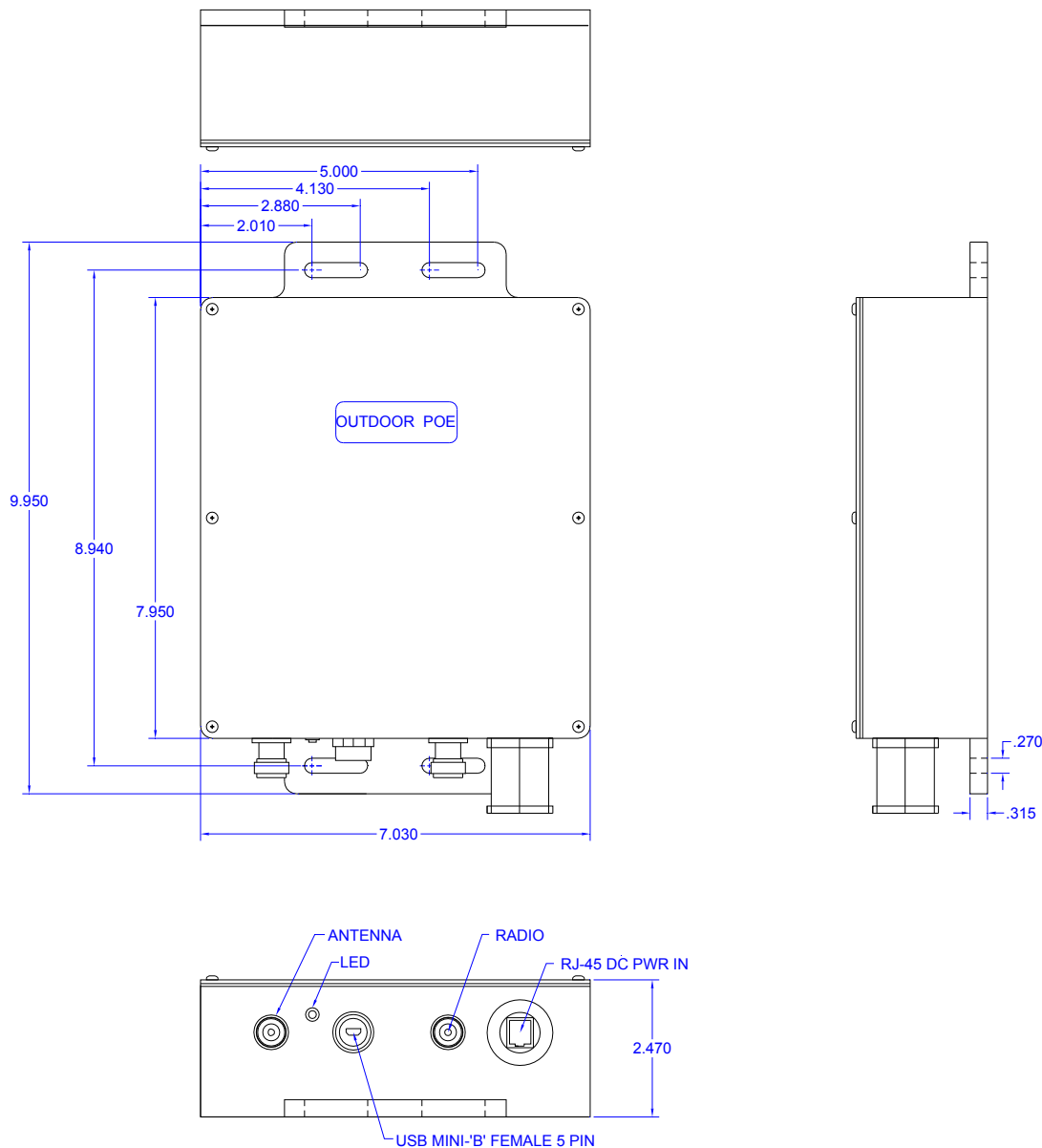
After applying power, the software reads the amplifiers settings via a USB connection. Each Antennafier™ leaves the factory set at TX Pwr=+30dBm and RX Gain =+10dBm, and has a unique serial number. To change the TX Pwr and RX Gain settings, simply adjust the slide bar to the desired levels, the changes are almost instant. To permanently store these settings simply press the “Save” button, then disconnect the USB connection. The Tunable Antennafier™ always remembers its stored information even when power is cycled.

Radio Output Power to the amplifier can also be measured. Selecting “Read RFI”, will yield average RF energy during a TX cycle for either 802.11b/g modulations. This RF power measurement is useful and will aid in system diagnostics.

A “Status Report” button is used to provide detailed diagnostic information.

9017 Cincinnati Columbus Rd.
West Chester, Ohio 45069
PH: 513-777-2774

Mechanical Outline:



Each Amp Includes:

- Amp
- Two 2.5" U bolt mounting brackets
- One Waterproof RJ-45 Connector Assembly
- Coax Seal
- Tunable CD Software
- USB Cable
- CAT-5e Jumper
- +24V RJ-45 Power Supply

9017 Cincinnati Columbus Rd.
West Chester, Ohio 45069
PH: 513-777-2774

FCC Information

Power amplification products are available for export, military, and OEM component sales and are not offered for sale to the general public. Customer acknowledges that any RF Linx amplification device it purchases is intended for use only in a transmission system certified under Part 15 of the rules and regulations of the FCC.

The marketing, sale, and use of power amplification devices are governed by and subject to Part 15 of the Rules and Regulations of the FCC. Such devices may only be sold to parties assembling certified RF transmission systems consisting of an intentional radiator, and external radio frequency power amplifier, and an antenna. It is the responsibility of the purchaser, and/or operator to insure that only approved equipment/systems are deployed in a FCC certified system configuration with which such equipment is authorized.

9017 Cincinnati Columbus Rd.
West Chester, Ohio 45069
PH: 513-777-2774