

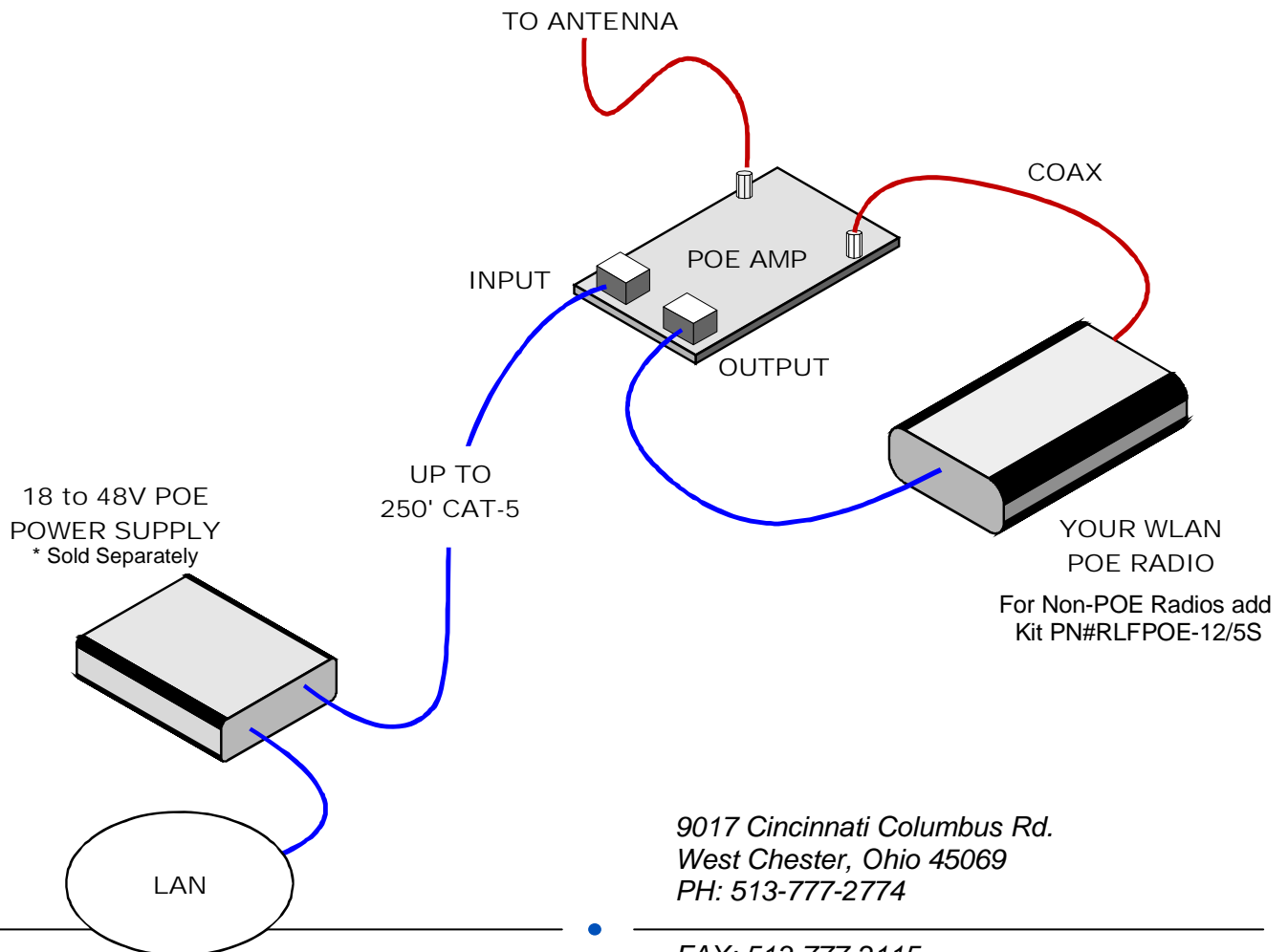
ANTENNAFIER™ 4900-5800CAE-POE SERIES



Achieve the high performance of our 4900-5800CA series Antennafier™ with POE. This Bi-Directional Amplifier package provides a system integrator a cost effective OEM solution. Now you can power your amplifier and radio using a single CAT-5 line and eliminate the high RF losses of coaxial cable. Using this Antennafier™ in front of your radio will improve link reliability and operating range by providing Low Noise Amplification in Receive, and Spectrally Clean Power Amplification during Transmit.

Featured Highlights:

- OEM maximum performance-minimum cost
- One CAT-5 powers both Amp and Radio
- Automatic Gain Controlled (AGC)
- RF Transmit Power 500mW Avg, 1500mW Peak
- Low Receive Noise Figure
- 500W Surge Protection on Data Lines
- TX/RX LED Indicator
- 802.11a compatible
- Automatically senses incoming RF signal



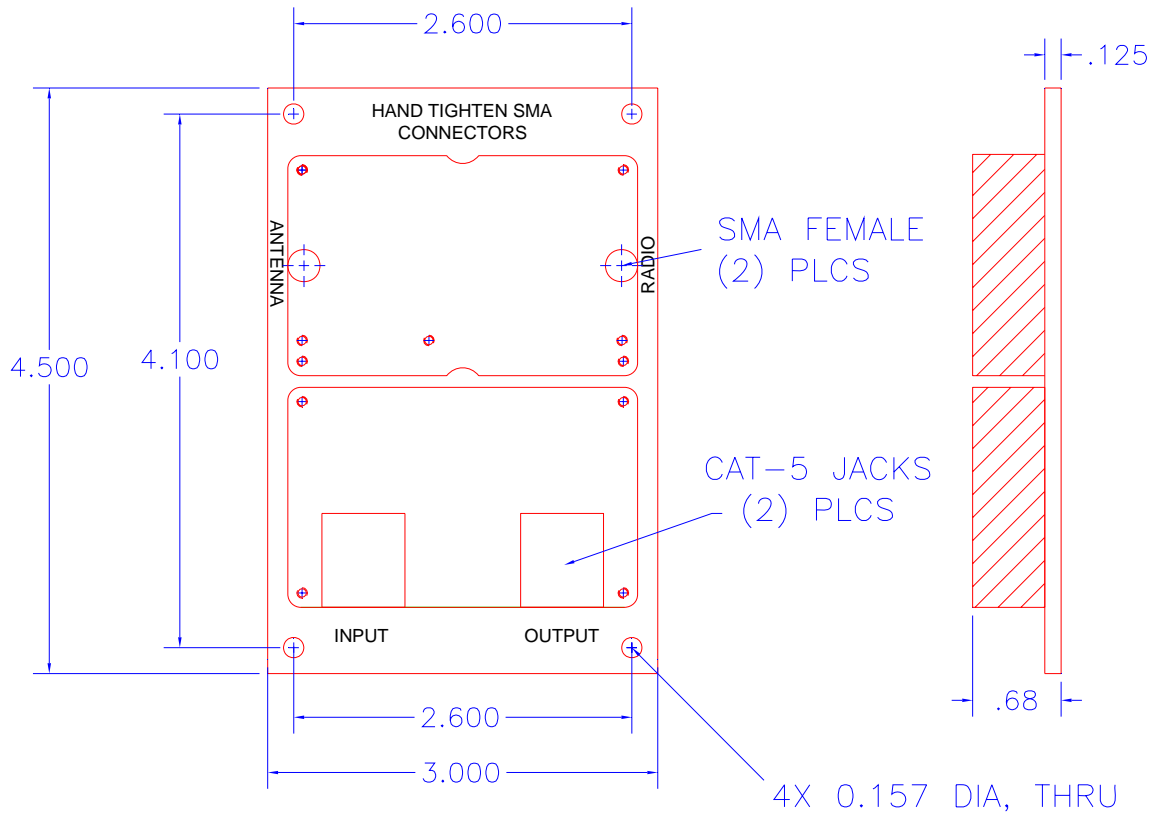
9017 Cincinnati Columbus Rd.
West Chester, Ohio 45069
PH: 513-777-2774

Typical Performance Parameters

Frequency Bands:	Public Safety:	4.940-4.990 GHz
	U-NII Lower & Middle:	5.15-5.35 GHz
	CEPT & U-NII Upper:	5.47-5.825 GHz
POE Input Voltage:	+18 to 50 VDC	V+ (Pins 4,5 on CAT-5 In/Output Jack) V- (Pins 7,8 on CAT-5 In/Output Jack) DC Power Passes thru to Radio 500W surge protection on Data Lines
	Receive:	Gain: 10 dB +/- 2 dB Noise Figure: 2.5 dB Supply Current: < 250 mA TX to RX Switching: < 500 nSec
Transmit:	AGC Power:	Avg Power: 500mW (27dBm), Pin +5 to +20dBm
	Compression Point:	P1dBm = 1500mW +32dBm
	RF Input Power for Turn-On:	> 1 dBm
	Harmonic Rejection:	2fo > 55 dBc, 3fo >70dBc @ Po=27dBm
	Supply Current:	< 1 A
RX to TX Switching:	< 500nSec	
Maximum Ratings:	Pin (Radio Port)	+30 dBm
	Pin (Antenna Port)	+27 dBm
RF Connectors:	"SMA" Female Connectors	
Weight:	< 5 oz	
Size::	4.00" x 3.00" x 0.826"	
Indicator LED:	Green—Receive Mode, Red -Transmit Mode	
Lightning Suppression:	1/4 wavelength short	
Temperature:	-40 to +70 Deg C	

9017 Cincinnati Columbus Rd.
West Chester, Ohio 45069
PH: 513-777-2774

Mechanical Outline:



9017 Cincinnati Columbus Rd.
West Chester, Ohio 45069
PH: 513-777-2774

Ordering Guide:

<u>Outdoor Series</u>	<u>Freq Band</u>	<u>Description</u>
4900 CAE-P	4940-4990 GHz Public Safety Band	Indoor OEM POE Amplifier & Cable Stays POE Power Supply & Pigtaills sold separately
5300 CAE-P	5.15-5.25 GHz U-NII Lower Band	
	5.25-5.35 GHz U-NII Middle Band	
5800 CAE-P	5.47-5.725 GHz CEPT	
	5.725-5.825GHz U-NII Upper Band	

- “U” designator in tail end of Part Number denotes user specified parameters, please call for details.
- All AGC amplifiers can be modified to fixed gain, please call for details.

9017 Cincinnati Columbus Rd.
West Chester, Ohio 45069
PH: 513-777-2774