

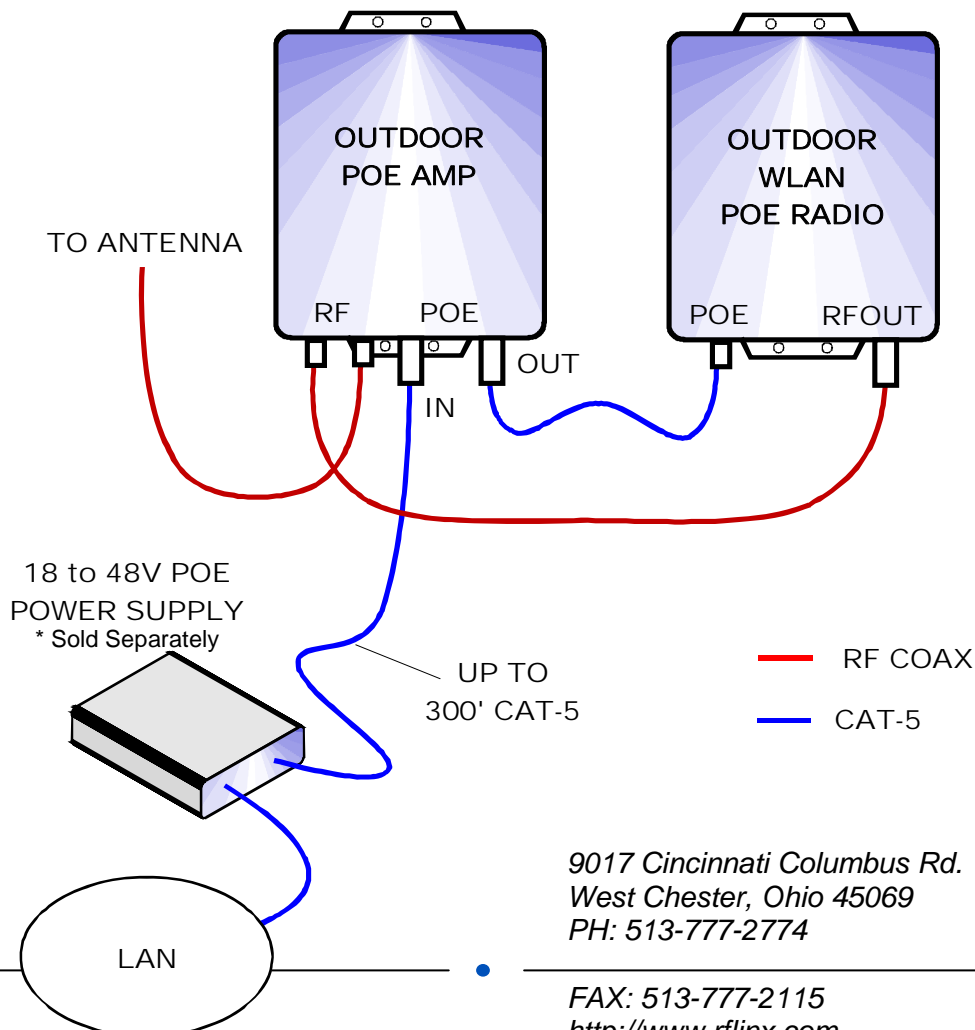
ANTENNAFIER™ 4900-5800 SAX-POE SERIES



Achieve the high performance of our 5 GHz series Antennafier™ with POE. This Bi-Directional Amplifier provides a system integrator a cost effective outdoor solution. Now you can power your amplifier and radio using a single CAT-5 line and eliminate the high RF losses associated with coaxial cable. Using this Antennafier™ in front of your radio will improve link reliability and operating range by providing Low Noise Amplification in RX and Spectrally Clean Power Amplification during TX.

Featured Highlights:

- Rugged Outdoor Construction, Power Coat Finish
- One CAT-5 powers both Amp and Radio
- Automatic Gain Controlled (AGC)
- RF Transmit Power 500mW Avg, 1500mW Peak
- Low Receive Noise Figure
- 500W Surge Protection on Data Lines
- TX/RX LED Indicator
- 802.11a compatible
- Automatically senses incoming RF signal



9017 Cincinnati Columbus Rd.
West Chester, Ohio 45069
PH: 513-777-2774

FAX: 513-777-2115
<http://www.rflinx.com>

Typical Performance Parameters

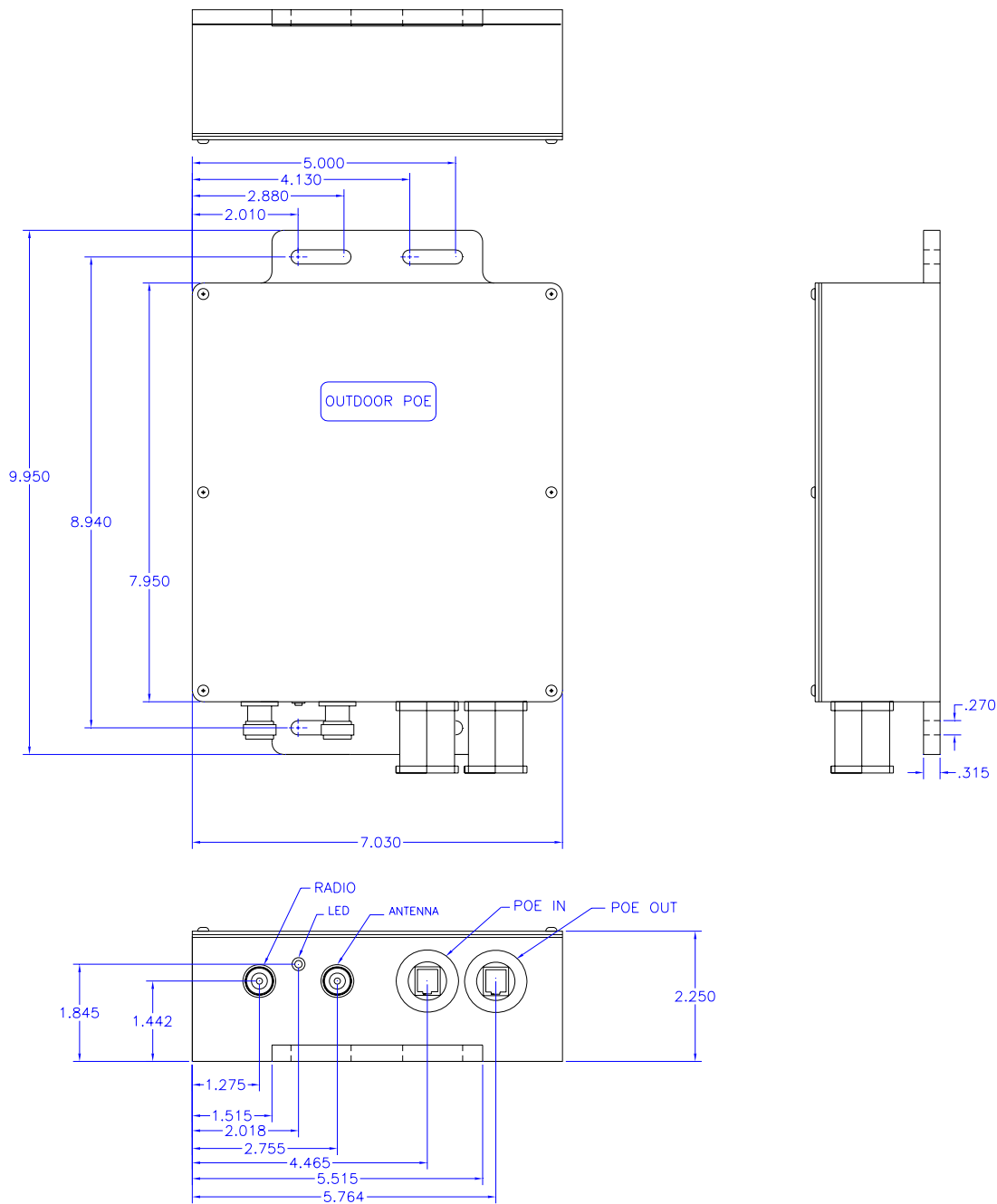
Amp POE Input Voltage:	+18 to 50 VDC	V+ (Pins 4,5 on CAT-5 In/Output Jack) V- (Pins 7,8 on CAT-5 In/Output Jack) DC Power Passes thru to Radio 500W surge protection on Data Lines
Frequency Bands:	Public Safety: 4.940-4.990 GHz U-NII Lower & Middle: 5.15-5.35 GHz CEPT & U-NII Upper: 5.47-5.825 GHz	
Receive:	Gain: 10 dB +/- 2 dB Noise Figure: 2.5 dB Supply Current: < 250 mA TX to RX Switching: < 500nSec	
Transmit:	AGC Power : Avg Power: 500mW (27dBm) , Pin +5 to +20dBm Peak Power 1500mW (+32dBm) Compression Point: P1dBm = 1500mW (+32dBm) RF Input Power for Turn-On: > 1 dBm Harmonic Rejection: 2fo > 55 dBc, 3fo >70dBc @ Po=+27dBm Supply Current: < 1A RX to TX Switching: < 500nSec	
Maximum Ratings:	Pin (Radio Port) +30 dBm Pin (Antenna Port) +27 dBm	
Size / RF Conn:	7.95" x 7.03"x 2.50" (Two RF Connectors -"N" Female) (Two Waterproof CAT-5- Female) Rugged aluminum die-cast chassis, with white power coat finish	
Weight:	< 3.7 Lbs	
Lightning Suppression:	Antenna N-Connector, 1/4 wavelength DC short POE IN/OUT, 500W Surge protection	
Temperature:	-40 to +70Deg C	

9017 Cincinnati Columbus Rd.
West Chester, Ohio 45069
PH: 513-777-2774

ANTENNAFIER™ 4900-5800 SAX-POE SERIES



Mechanical Outline:



9017 Cincinnati Columbus Rd.
West Chester, Ohio 45069
PH: 513-777-2774

Oct 10, 2007

FAX: 513-777-2115
<http://www.rflinx.com>

Ordering Guide:

<u>Outdoor Series</u>	<u>Freq Band</u>	<u>Description</u>
4900 SAX-P	4940-4990 GHz Public Safety Band	Includes: POE Amplifier, Two 2.5" U bolt mounting brackets, Two Outdoor RJ-45 Connector mating assemblies, & Coax Seal. POE Power Supply sold separately
5300 SAX-P	5.125-5.25 GHz U-NII Lower Band	
	5.25-5.35 GHz U-NII Middle Band	
5800 SAX-P	5.47-5.725 GHz CEPT	
	5.725-5.825GHz U-NII Upper Band	

- "U" designator in tail end of Part Number denotes user specified parameters, please call for details.
- All AGC amplifiers can be modified to fixed gain, please call for details.

9017 Cincinnati Columbus Rd.
West Chester, Ohio 45069
PH: 513-777-2774