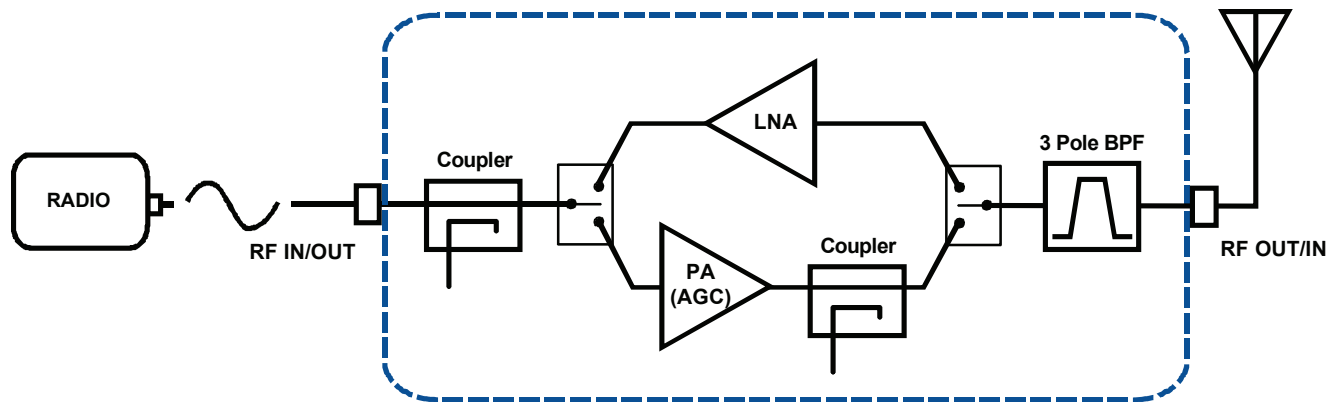


The Antennafier™ 2400 CAE series amplifiers provide a system integrator an cost effective OEM module that can drop in and supercharge your radio's performance. These amplifiers are our newest line of 802.11g/b compatible smart Bi-Directional RF amplifiers for use in Wireless LAN Applications, providing up to 1W of AGC compensated Transmit Power in 'g' mode. An antenna amplifier significantly improves link reliability and operating range by providing Low Noise Amplification in Receive Mode, and Spectrally Clean Power Amplification in Transmit Mode. In addition this amplifier has a unique internal 3 pole filtering in both TX and RX paths providing exceptional cosite performance in high traffic areas.

### Featured Highlights:

- TX power up to 1W (+30dBm) in 802.11g/b
- OEM maximum performance-lowest cost
- 3 Poles of High Q filtering in both TX/RX paths
- Extremely low transmit harmonics
- TX/RX LED Indicator

### ANTENNAFIER™ 2400 CAE SERIES BLOCK DIAGRAM



*The marketing, sale, and use of power amplification devices are governed by and subject to Part 15 of the Rules and Regulations of the Federal Communications Commission. Such devices may only be sold to parties assembling certified RF transmission systems consisting of an intentional radiator, an external radio frequency power amplifier, and an antenna.*

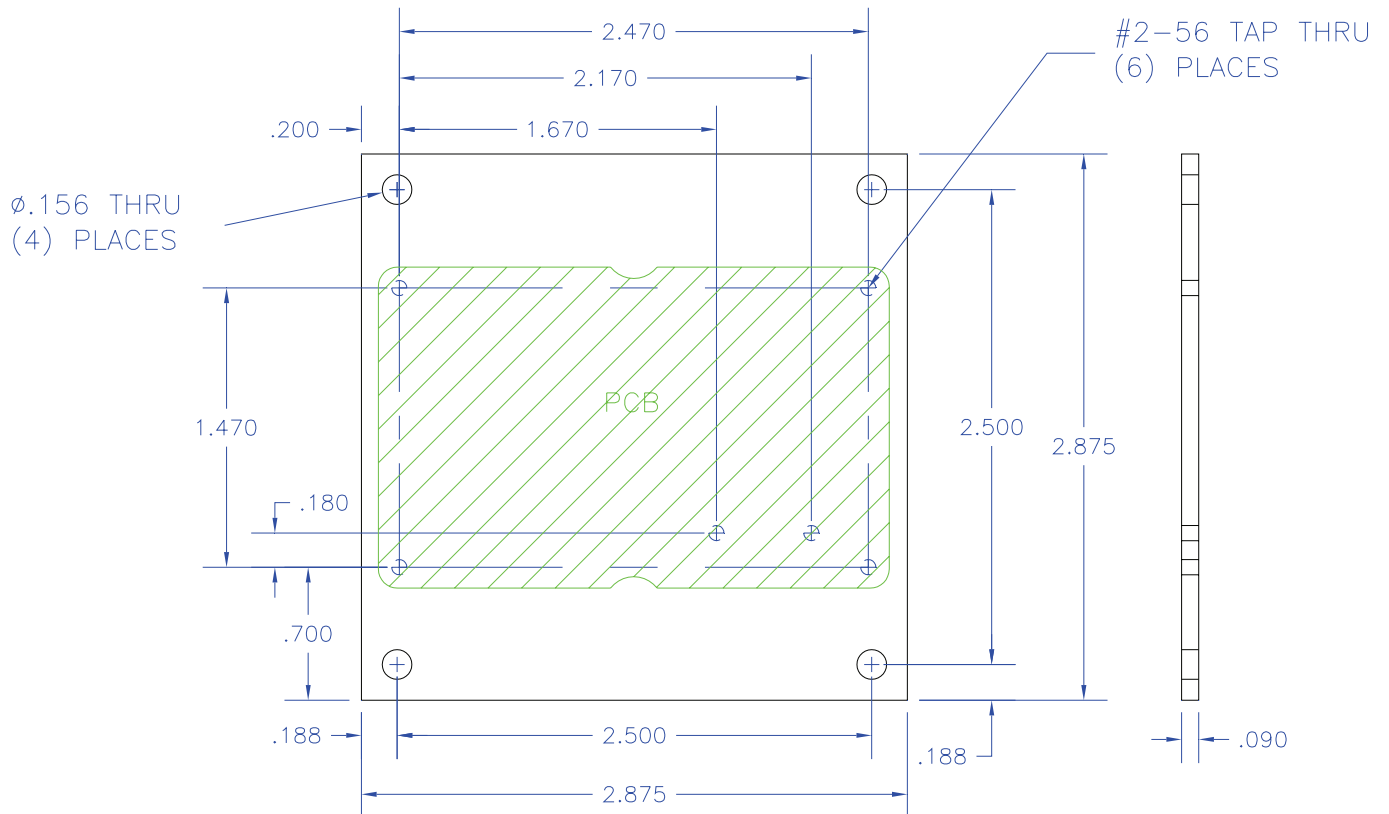
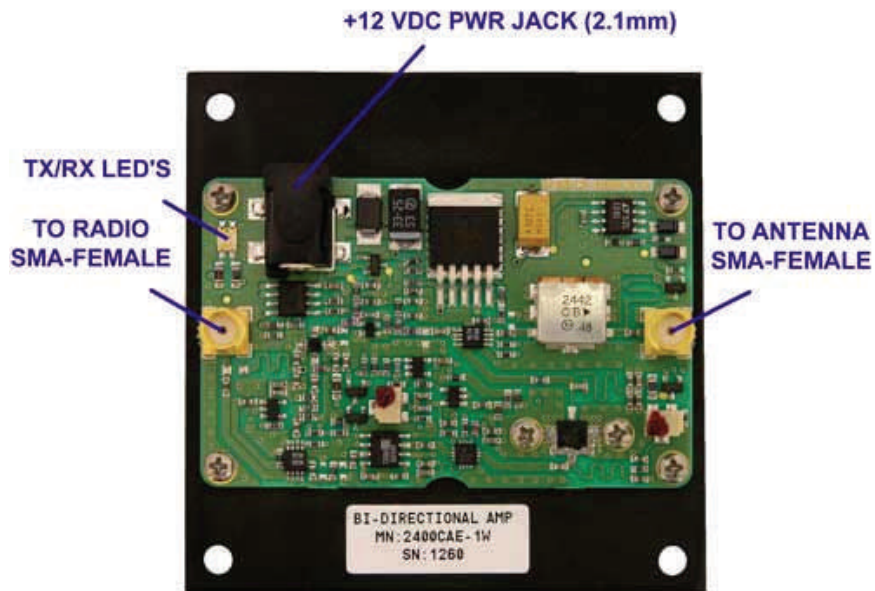
9017 Cincinnati Columbus Rd.  
West Chester, Ohio 45069  
PH: 513-777-2774

## Typical Performance Parameters

<b>Frequency Coverage:</b>	2.442 GHz +/- 50MHz	
<b>Supply Voltage:</b>	+12 VDC +/- 5% 2400CAE	DC Via 2.1mm I.D. (+), 5.5mm O.D. (-)
<b>Receive:</b>	Gain:	20 dB +/- 2 dB (Custom gain from 0 to +23dB upon request )
	'g' Modulation Data Rates:	54Mbps
	Noise Figure:	2.5 dB
	Linear Operation:	Pin < -9dBm
	Supply Current:	<150mA
	TX to RX Switching:	2 µSec Typ.
<b>Transmit:</b>	AGC Gain :	Automatically adjusts to specified Power Output
	Max Rated Power Output:	1W (+30) dBm
	'g' Modulation Data Rates:	1W yields 36 to 48Mbps 0.5W yields 54Mbps
	P1dBm:	+32.5dBm
	RF Input Power for Turn-On:	> 1 dBm
	Harmonic Rejection:	> 75dBc @ 2fo > 56 dBc @ 3fo 1W Power Output
	Supply Current:	< 800 mA Max @ 1W Power Output
	RX to TX Switching:	2 µSec Typ.
<b>Maximum Ratings:</b>	Pin (Radio Port)	+30 dBm
	Pin (Antenna Port)	+27 dBm
<b>System Filtering:</b>	An internal 3-Pole Filter in both RX and TX Paths provides superior cosite performance achieving Maximum Dynamic Range and Low Harmonic Distortion.	
<b>Size / RF Conn:</b>	2.875" x 2.875" x 0.46" (Including "SMA" Female Connectors)	
<b>Weight:</b>	< 4.5 oz	
<b>Indicator LED:</b>	Green LED -Receive Mode, Red LED-Transmit Mode	
<b>Lightning Suppression:</b>	1/4 wavelength short on Antenna side	

9017 Cincinnati Columbus Rd.  
West Chester, Ohio 45069  
PH: 513-777-2774

## Mechanical Footprint & Hookup:



9017 Cincinnati Columbus Rd.  
West Chester, Ohio 45069  
PH: 513-777-2774