

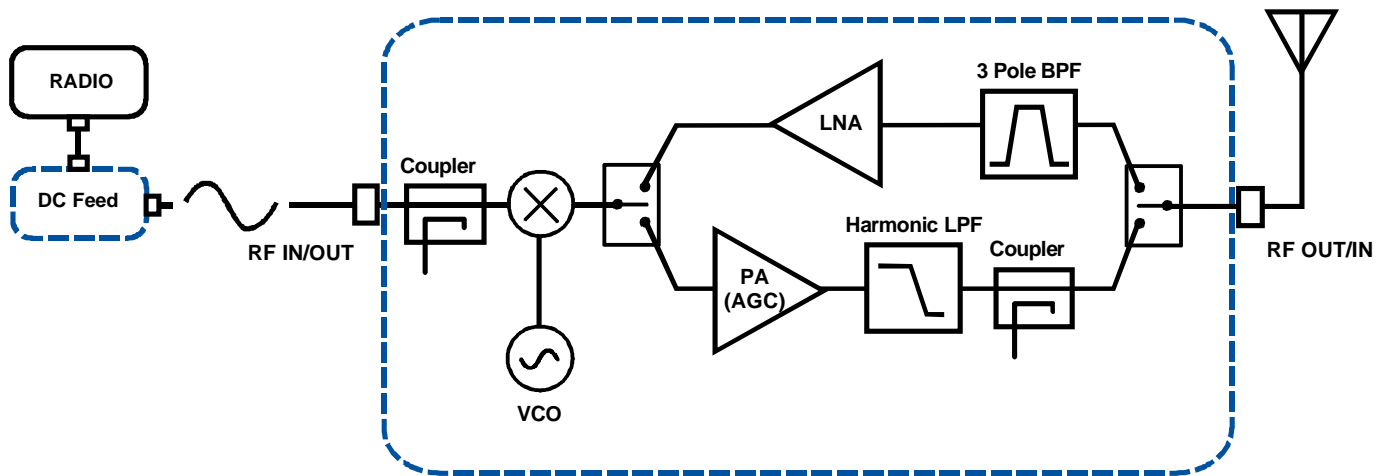


The Antennafier™ 915 UD Series Up-Down Converter offers the ability to overcome link challenges that defeat traditional 2.4 GHz solutions due to Non-Line of Site or foliage issues. These devices down convert a standard 2.4GHz radio signal to 915MHz. In addition it provides up to 4 Watts of AGC Power Boost and an exceptionally Low Noise Figure in Receive.

### Featured Highlights:

- Compatible with 802.11b/g formats
- Up to 4 Watts 802.11b and 2W 802.11g
- High Q filtering in both TX/RX paths
- Fast RF switching times
- Low transmit harmonics
- Transmit AGC (Automatic Gain Control)
- Ultra Low Receive Noise Figure
- Internal Lightning Protection
- Synthesized center frequency lock
- TX/RX LED Indicator
- Automatically RF sense switch between TX/RX modes of operation
- Rugged weatherproof housing

### ANTENNAFIER™ 915 UD SERIES



*The marketing, sale, and use of power amplification devices are governed by and subject to Part 15 of the Rules and Regulations of the Federal Communications Commission. Such devices may only be sold to parties assembling certified RF transmission systems consisting of an intentional radiator, an external radio frequency power amplifier, and an antenna.*

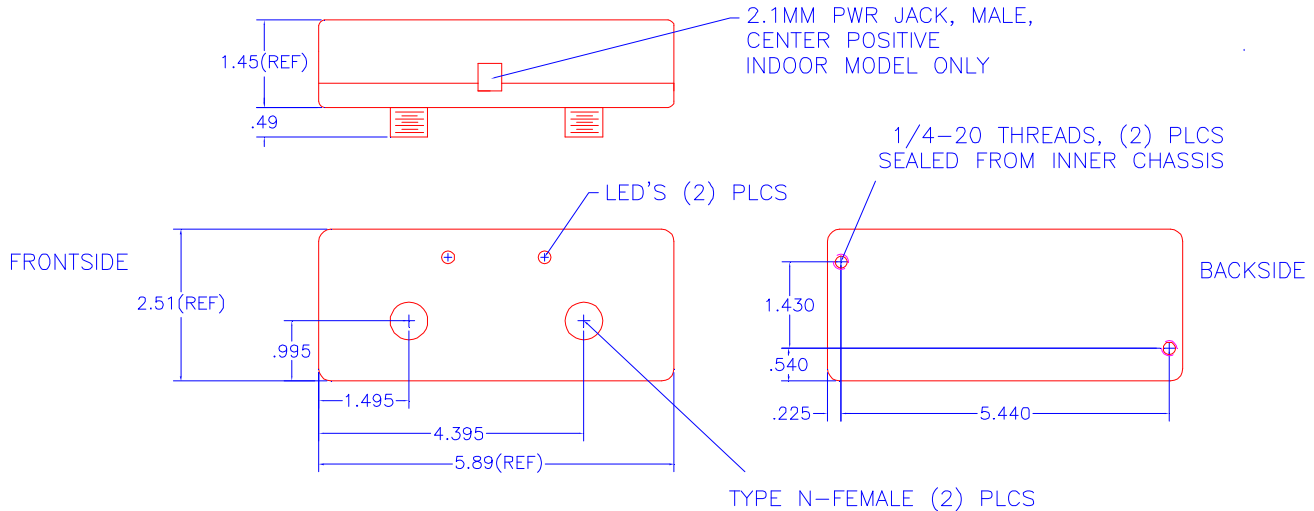
9017 Cincinnati Columbus Rd.  
West Chester, Ohio 45069  
PH: 513-777-2774

## Typical Performance Parameters

<b>Input Center Frequency:</b>	Fo = 2437 MHz	(Set your DSSS 2.4GHz radio to Channel 6) (Custom Channels 1 thru 14 available use "CH-XX" on end-fix of part number)
<b>Output Center Frequency:</b>	Fo = 915 MHz	
<b>Supply Voltage:</b>	+12 VDC +/- 5%	
	Indoor Unit Connector:	2.1mm I.D. (+), 5.5mm O.D. (-)
	Outdoor Unit:	Comes with DC Injector
<b>Transmit (Down Converter):</b>	Frequency Band:	Fo=915MHz; Span +/- 11MHz
	AGC Gain:	Automatically adjusts to specified Power Output
	Power Output:	P1dBm=+36dBm
	Rated 802.11b	4W (+36dBm) yields 11Mbps Data Rates
	Rated 802.11g	2W (+33dBm) yields 36 to 48Mbps Data Rates
		1W (+30dBm) yields 54Mbps Data Rates
	RF Input Power:	+ 7dBm to +20 dBm
	Harmonic Rej at 1W Output:	2Fo > 70 dBc ; >3Fo 66dBc
	Supply Current:	< 2.5A
	RX to TX Switching:	< 500 nSec
	VCO Leakage	-100 dBc
<b>Receive (Up Converter):</b>	Frequency Band:	Fo=2437, Span +/- 11MHz for std CH 6 model Custom Channels will be 1 thru 14
	RX gain:	5dB +/- 2 dB (Pin < -12dBm)
	Noise Figure:	<2.5 dB
	Supply Current:	< 400 mA
	TX to RX Switching:	< 400nSec
	VCO Leakage Signal:	-95 dBc
<b>Maximum Ratings:</b>	Pin (Radio Port):	+30 dBm
	Pin (Antenna Port):	+30 dBm
<b>System Filtering:</b>	Internal High Q, Coaxial Filtering in receive front-end and harmonic filtering in the TX path provides maximum dynamic RF range and superior cosine performance.	
<b>Size / RF Connectors:</b>	2.5" x 5.9"x 1.45" ( "N" type Female Connectors )	
<b>Weight:</b>	< 15 oz	
<b>Chassis:</b>	Watertight Diecast Aluminum with tough black powder paint. To enhance reliability, indoor models are coated with conformal coating and outdoor models are potted. The two 1/4" mounting holes in back of unit do not require sealing.	

9017 Cincinnati Columbus Rd.  
West Chester, Ohio 45069  
PH: 513-777-2774

## Mechanical Outline



## Ordering Guide

<u>Series</u>	<u>Power</u>	<u>Description</u>
915 UDX	4 W (+36dBm) 2 W (+33dBm) 1 W (+30dBm) 0.5 W (+27dBm)	Kit includes: Outdoor Rated Amplifier, DC Feed, +12VDC@5A Power Supply, V block Mounting Bracket, Stainless Steel Hardware and Instruction Sheet.
915 UDE	4 W (+36dBm) 2 W (+33dBm) 1 W (+30dBm) 0.5 W (+27dBm)	Kit includes: Indoor Rated Amplifier, +12VDC@5A Power Supply, Mounting Bracket, Stainless Steel Hardware and Instruction Sheet.

Note: For a custom conversion channel, simply place "CH-XX" in the end-fix of part number and select CH01 thru CH14.

9017 Cincinnati Columbus Rd.  
West Chester, Ohio 45069  
PH: 513-777-2774