

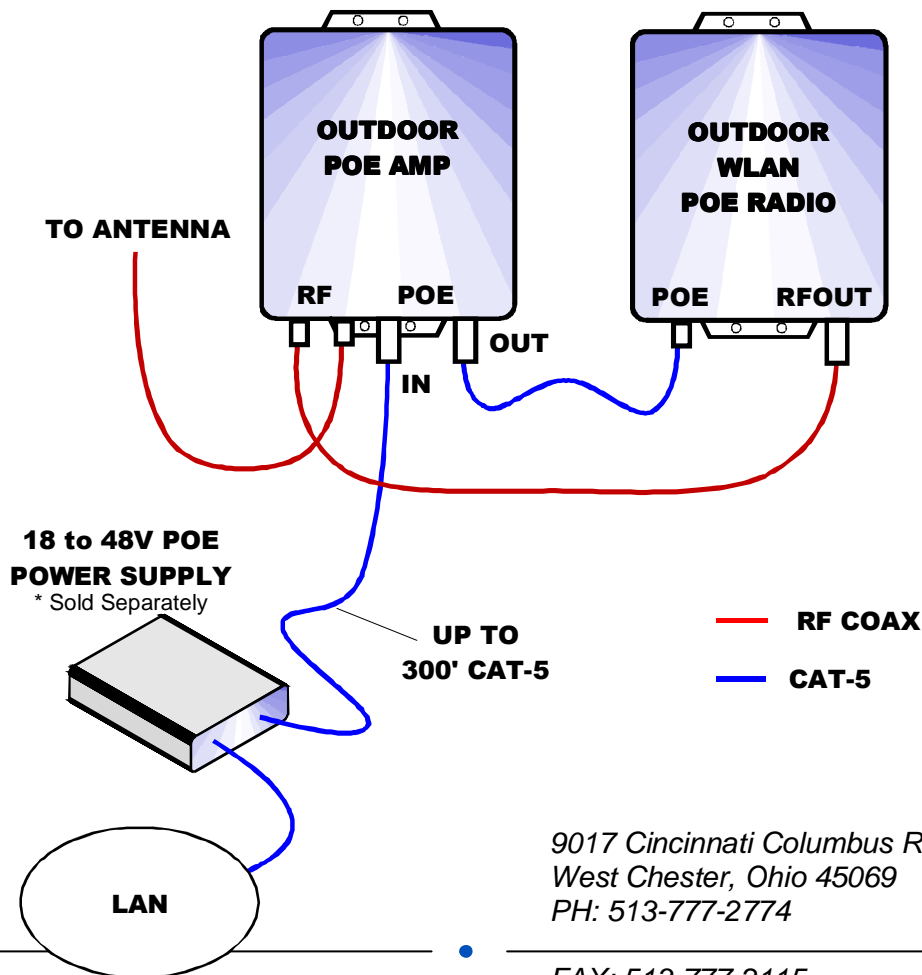
ANTENNAFIER™ 915 LX-POE SERIES



Achieve the high performance of our 915MHz series Antennafier™ with POE. This Bi-Directional Amplifier provides a system integrator a cost effective outdoor solution. Now you can power your amplifier and radio using a single CAT-5 line and eliminate the high RF losses associated with coaxial cable. Using this Antennafier™ in front of your radio will improve link reliability and operating range by providing Low Noise Amplification in RX and Spectrally Clean Power Amplification during TX.

Featured Highlights:

- Rugged Outdoor Construction
- TX power: Up to 4W (36dBm)
- One CAT-5 powers both Amp and Radio
- 500W Surge protection
- Ultra Low Receive Noise Figure
- High Q filtering in both TX/RX paths



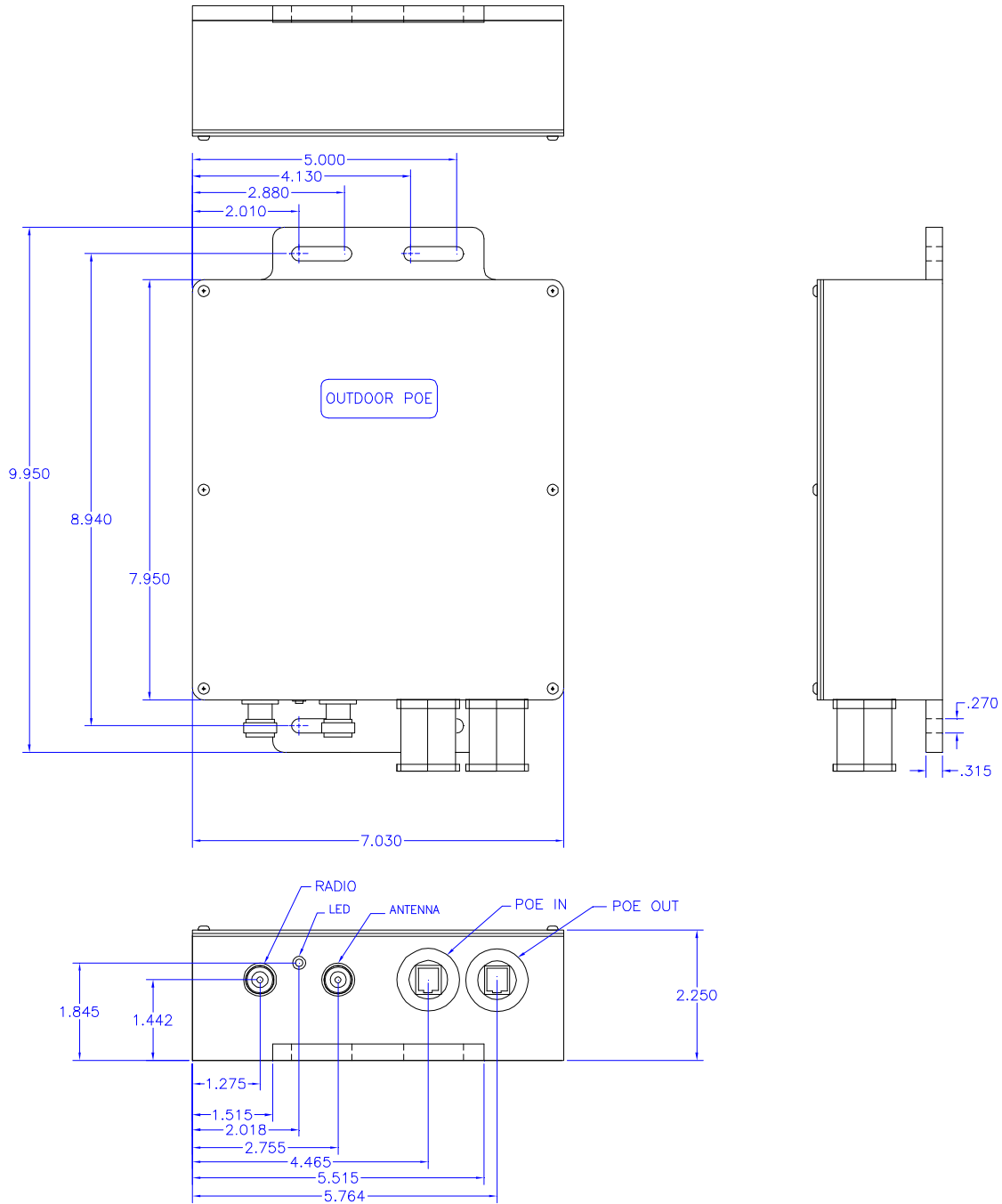
9017 Cincinnati Columbus Rd.
West Chester, Ohio 45069
PH: 513-777-2774

Typical Performance Parameters

Amp POE Input Voltage:	+18 to 50 VDC	V+ (Pins 4,5 on CAT-5 In/Output Jack) V- (Pins 7,8 on CAT-5 In/Output Jack) DC Power Passes thru to Radio 500W surge protection on Data Lines
Frequency:	F = 902-928 MHz	
Transmit :	AGC Gain: Maximum Power Output: RF input Power: Harmonic Rej at 1W Output: Supply Current: RX to TX Switching:	Automatically adjusts to specified Power Output P1dBm=+36dBm +15 dBm to +30 dBm 2Fo > 70 dBc ; >3Fo 66dBc < 2.5A < 500 nSec
Receive :	RX gain: Noise Figure: Supply Current: TX to RX Switching: VCO Leakage Signal:	10dB +/- 2 dB (Pin < -12dBm) <2.5 dB < 400 mA < 400nSec -95 dBc
Maximum Ratings:	Pin (Radio Port): Pin (Antenna Port):	+30 dBm +30 dBm
System Filtering:	6 Poles of Internal High Q, Coaxial Filtering in receive front-end and harmonic filtering in TX path provides maximum dynamic RF range and superior cosite performance from Pager & Cellular interference.	
Size / RF Conn:	7.95" x 7.03"x 2.50" (Two RF Connectors -"N" Female) (Two Waterproof CAT-5- Female) Rugged aluminum die-cast chassis, with white power coat finish	
Weight:	< 3.7 Lbs	
Lightning Suppression:	Antenna N-Connector, 1/4 wavelength DC short POE IN/OUT, 500W Surge protection	
Temperature:	-40 to +70Deg C	

9017 Cincinnati Columbus Rd.
West Chester, Ohio 45069
PH: 513-777-2774

Mechanical Outline:



Each POE Amp Includes:

- Two 2.5" U bolt mounting brackets
- Two Outdoor RJ-45 Connector Assemblies
- Coax Seal

9017 Cincinnati Columbus Rd.
West Chester, Ohio 45069
PH: 513-777-2774